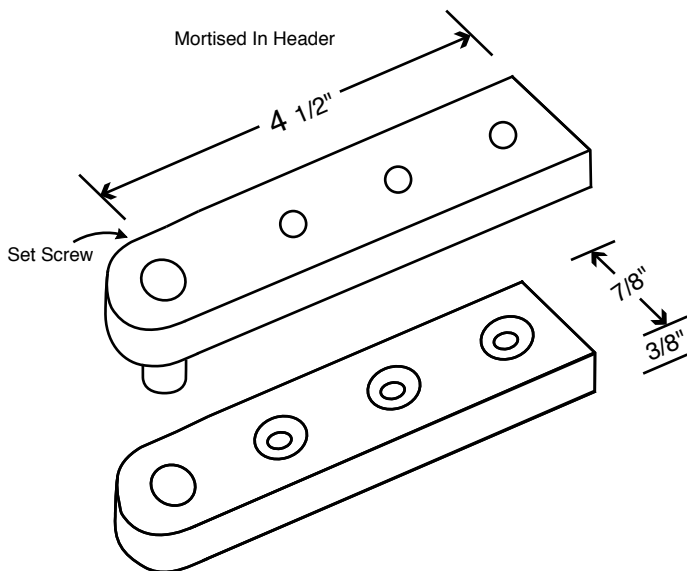


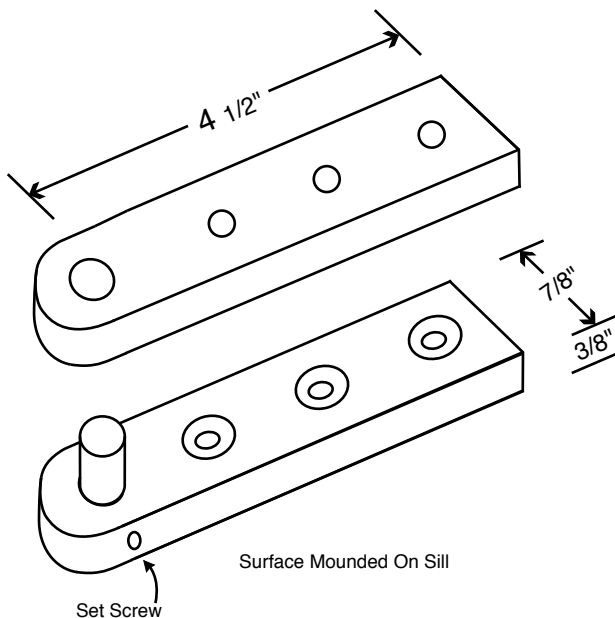
Rajack Designs, Ltd.



Centerhung Pivot Hinges

These pivots are used when conditions specify that hinges are to be completely concealed. This pivot set consists of (4) leaves with no offset short arm, (straight) each with countersunk screw holes. The leaves with pins are mortised into the header and floor, and the door portions are mortised into the top and bottom of the door.

It is also important to note, that the door must be beveled on an angle. This angle should be on the hinge side of the door from the back of the door to the front, approximately 1/8" to 1/4", to allow space for the door to open.



Installation Of Centerhung Pivots

Mortise the cut outs for all pivot portions. Install the door pivot on top and bottom of doors with screws in place.

Attach the floor pivot to the bottom of the door pivot. Position door in open 90 degree angle to jamb. Carefully tilt door while sliding the top of it, with all (4) pivot portions in tact, into the header portion pocket, and position floor and bottom door pivot portions insuring they are plumb.

Once all portions are plumb, header and floor can be affixed into place with screws.