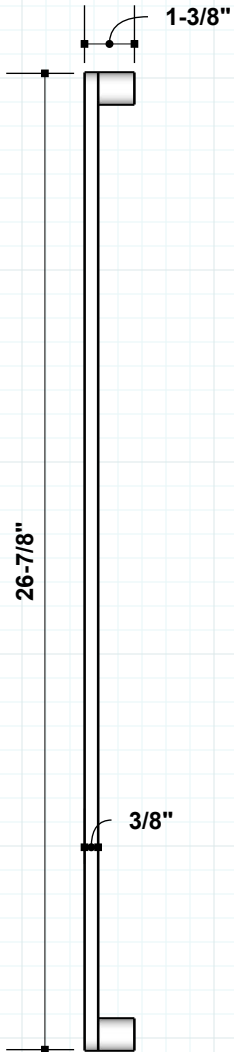


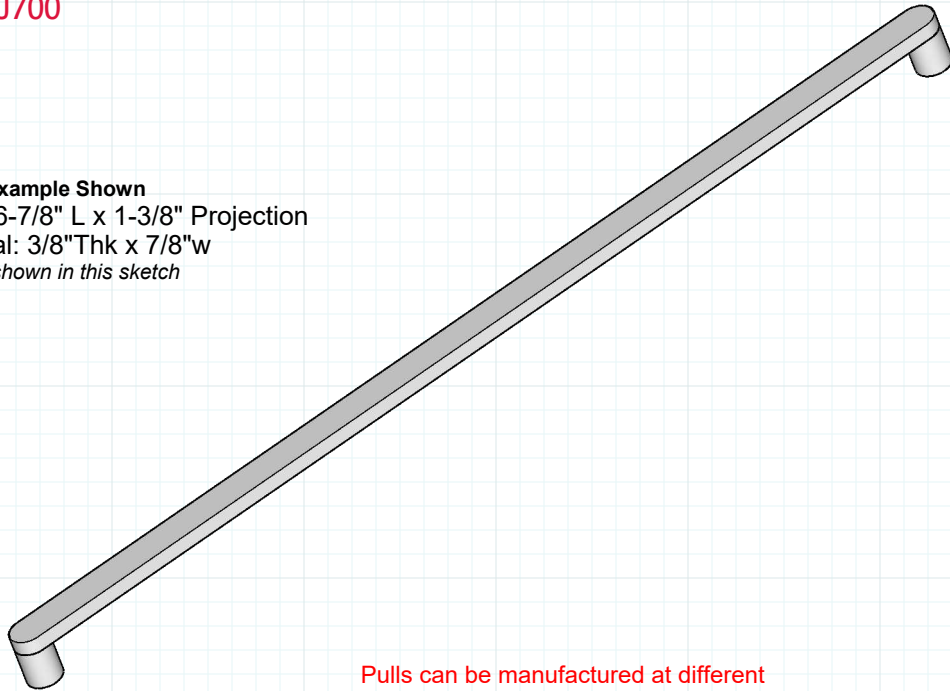


RJ700 Pull - Flat Round
 Cabinet - Full Size - Appliance
 #RAJACK #RJ700

B
 TYPE



Example Shown
 RJ700 PULL 26-7/8" L x 1-3/8" Projection
 Material: 3/8"Thk x 7/8"w
Pull shown in this sketch



Pulls can be manufactured at different lengths and projections.



3/8"
 MATERIAL THICKNESS

7/8"
 MATERIAL WIDTH

1-3/8"
 MATERIAL PROJECTION
Suggested

36"
 Max OA Length

Material Size	Max Length
(A) 5/16 x 1/2	14" OA
(B) 3/8 x 7/8	36" OA
(C) 1/2 x 1	48" OA

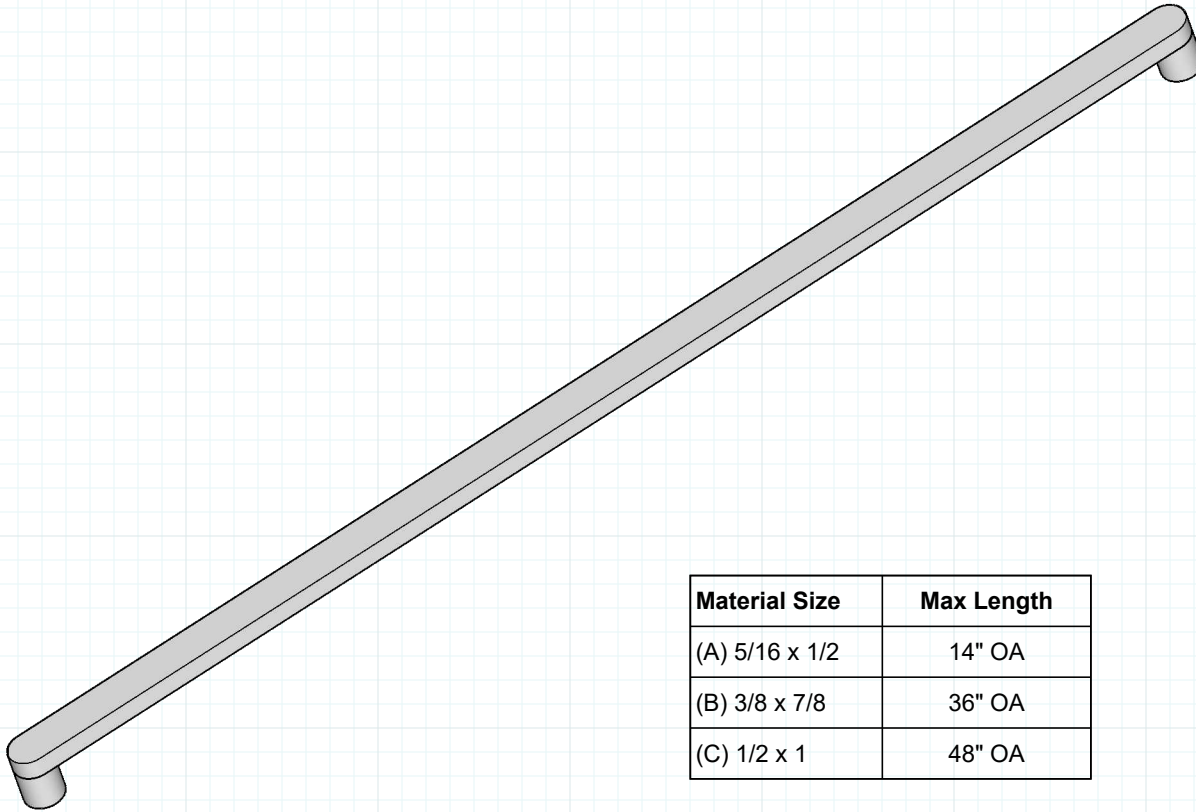
rajackhardware
Follow us on Instagram

info@rajack.com
RAJACK HARDWARE
 95 Rome Street
 Farmingdale, NY 11735
 631-293-8273 Phone

RJ700-B-1



RJ700 Pull - Flat Round
 Cabinet - Door - Appliance
 #RAJACK #RJ700



Material Size	Max Length
(A) 5/16 x 1/2	14" OA
(B) 3/8 x 7/8	36" OA
(C) 1/2 x 1	48" OA

Finishes

- US03 Pol. Brass
- US03A Pol. Brass N/L
- US04 Satin Brass
- US04A Satin Brass N/L
- US05 Antique Brass
- US09 Polished Bronze
- US10 Satin Bronze
- US10A Dark Bronze
- US10B Oil Rubbed Bronze
- US14 Pol. Nickel
- US14A Pol. Nickel N/L
- US15 Satin Nickel
- US15A Satin Nickel N/L
- US19 Satin Black
- US26 Pol. Chrome
- US26D Satin Chrome

Powder Coating All RAL Colors

Match Your Sample

* RAJACK can match any custom or existing hardware finishes provided you submit a sample when placing order.



info@rajack.com

RAJACK HARDWARE
 95 Rome Street
 Farmingdale, NY 11735
 631-293-8273 Phone

RJ700-00

