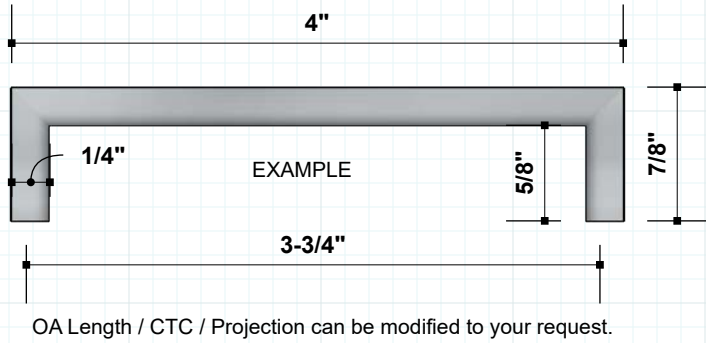




RJ719 Pull: 1/4 Thick (thk) x 1/2 Width (w)
Cabinet-Drawer-Door Pulls
#RAJACK

A
 TYPE



1/4"
 MATERIAL THICKNESS

1/2"
 MATERIAL WIDTH

7/8"
 MATERIAL PROJECTION
Suggested

2-1/2" up to 8"
 MATERIAL OA LENGTH
Suggested

Available in Rear & Face Mount
Available in Back to Back
Available in All Finishes

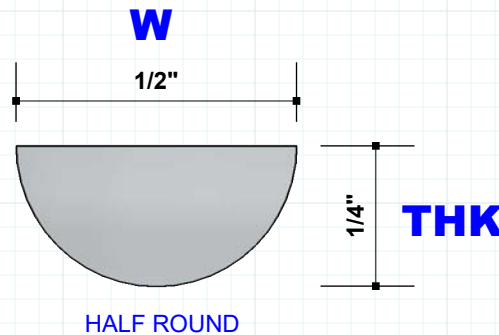
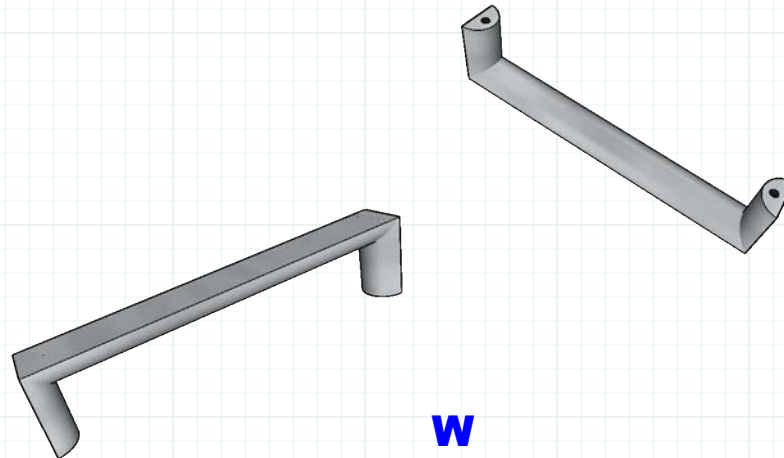
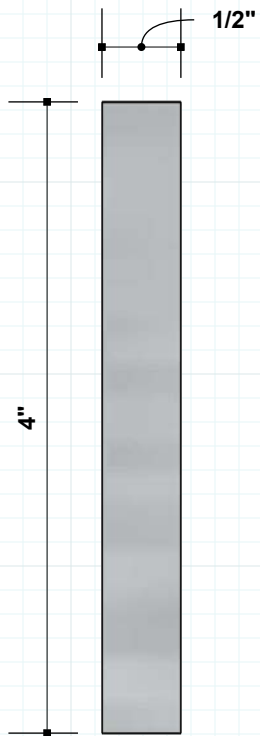
MANUFACTURED TO ORDER
 Other Material Sizes are available.

CALL-EMAIL TO DISCUSS



info@rajack.com

RAJACK HARDWARE
 95 Rome Street
 Farmingdale, NY 11735
 631-293-8273 Phone



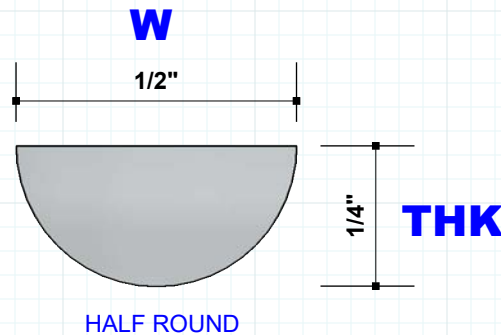
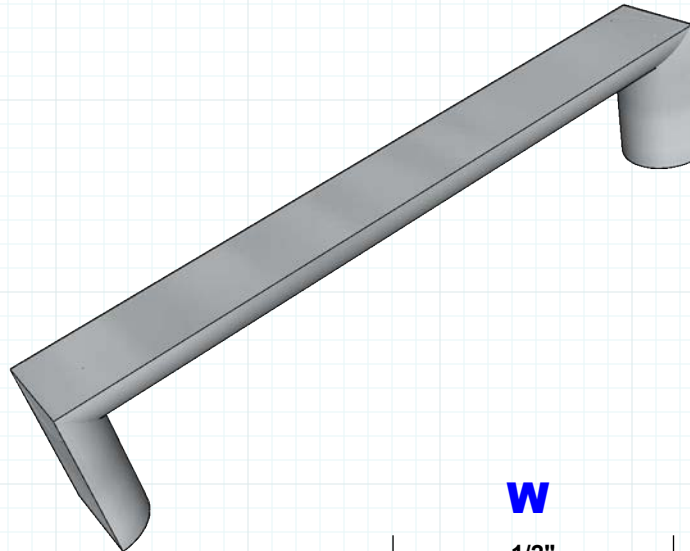
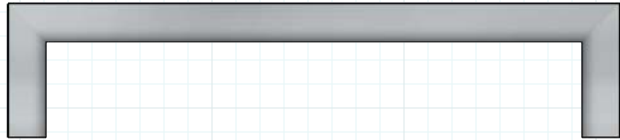
RJ719-A-01

RAJACK.com



RJ719 Pull: 1/4" Thick (thk) x 1/2" Width (w)
Cabinet-Drawer-Door Pulls
#RAJACK

A
 TYPE



1/4"

MATERIAL THICKNESS

1/2"

MATERIAL WIDTH

7/8"

MATERIAL PROJECTION
Suggested

2-1/2" up to 8"

MATERIAL OA LENGTH
Suggested

Available in Rear & Face Mount

Available in Back to Back

Available in All Finishes

MANUFACTURED TO ORDER

Other Material Sizes are available.

CALL-EMAIL TO DISCUSS



info@rajack.com

RAJACK HARDWARE

95 Rome Street
 Farmingdale, NY 11735
 631-293-8273 Phone

RJ719-A-02

RAJACK.com