

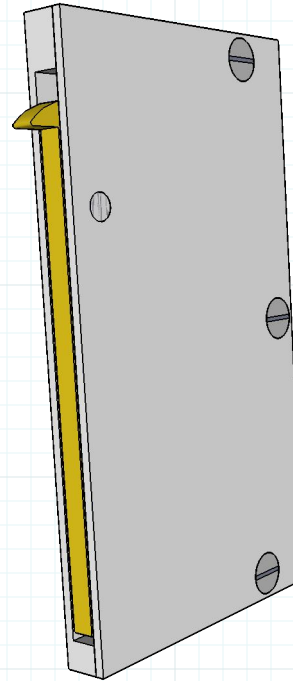
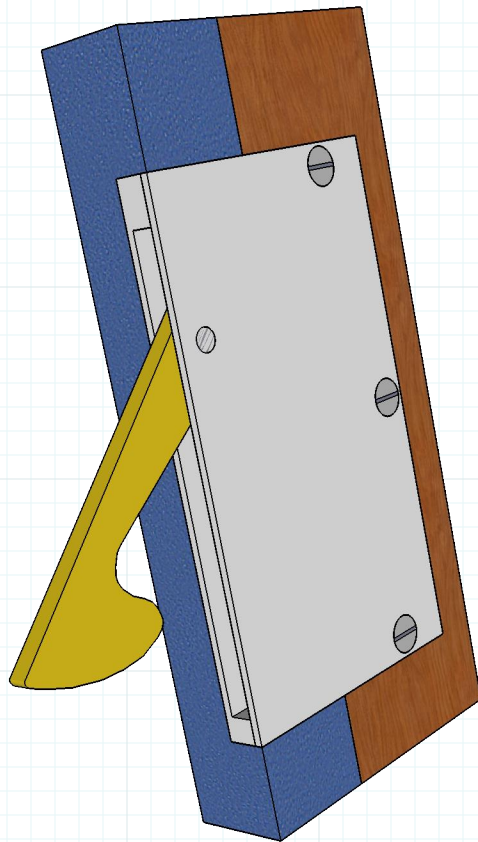


FE158F Knife Pull (Extended)

Concealed Edge Pull

#RAJACK #FE158F

- EXTENDED BODY
- For doors with Fabric Panels, Mirrors or any other applied cladding that only allows for fastening on core door.
- Screw Holes can be positioned as needed.



Extended Widths

- 1-1/2" W
- 2-00" W
- 2-1/2"W
- 3-00"W
- 3-1/2" W

FE158F-01

RAJACK.com

RAJACK HARDWARE

95 Rome Street
 Farmingdale, NY 11735
 631-293-8273 Phone
 631-293-3617 Fax

info@rajack.com

Finishes

- US03 Pol.Brass
- US03A Pol.Brass N/L
- US04 Satin Brass
- US04A Satin Brass N/L
- US05 Antique Brass
- US09 Polished Bronze
- US10 Satin Bronze
- US10A Dark Bronze
- US10B Oil Rubbed Bronze
- US14 Pol.Nickel
- US14A Pol.Nickel N/L
- US15 Satin Nickel
- US15A Satin Nickel N/L
- US19 Satin Black
- US26 Pol.Chrome
- US26D Satin Chrome

Powder Coating All RAL Colors

All Benjamin Moore Colors

Match Your Sample

* RAJACK can match any custom or existing hardware finishes provided you submit a sample when placing order.

Screw: #6 x 3/4" Philips Flat

Social RAJACK

Additional Product Photos & Information
Featured On





FE158F Knife Pull (Extended)

Concealed Edge Pull

#RAJACK #FE158F

Manufactured to your specifications
Scratch Sheet

RAJACK HARDWARE

95 Rome Street
Farmingdale, NY 11735
631-293-8273 Phone
631-293-3617 Fax

info@rajack.com

Extended Widths

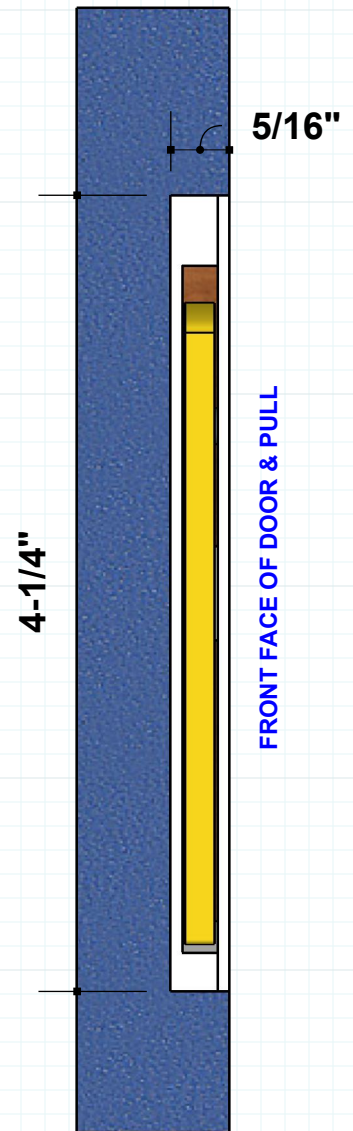
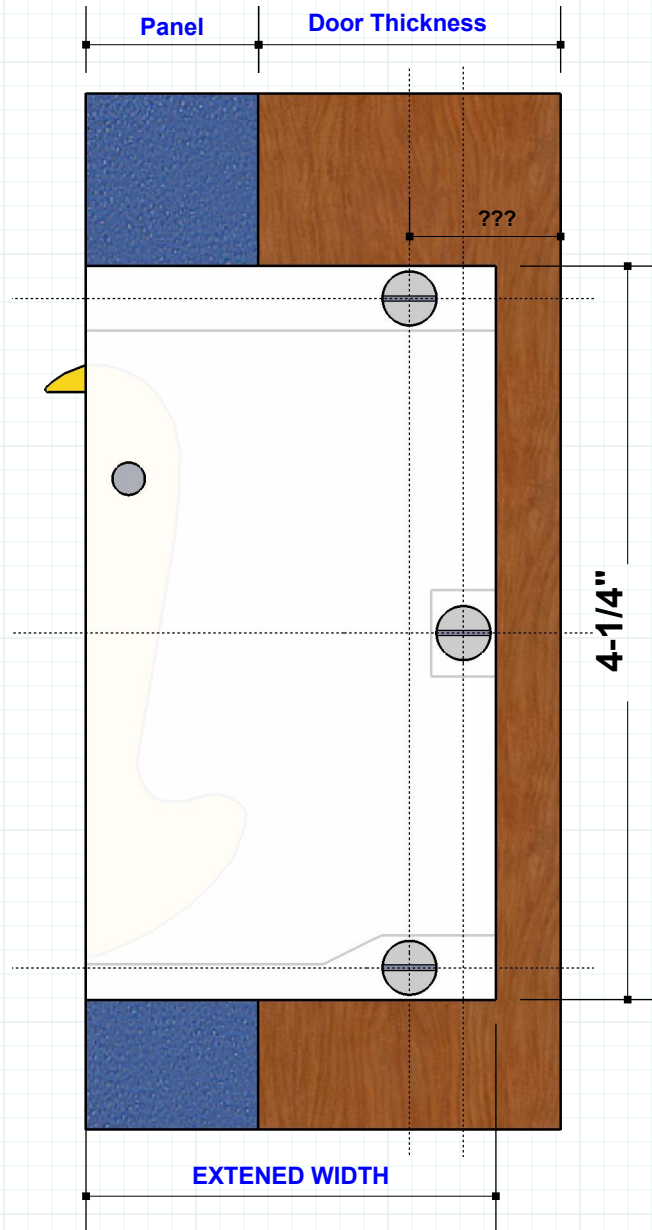
1-1/2" W

2-00" W

2-1/2"W

3-00"W

3-1/2" W



FE158F-02

RAJACK.com

Screw: #6 x 3/4" Philips Flat