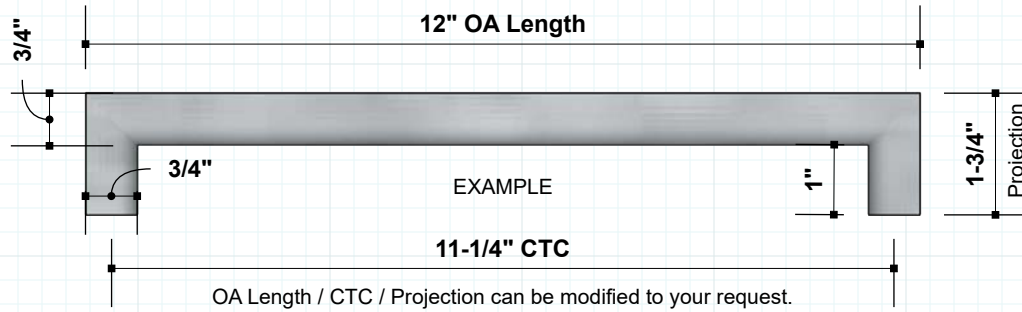




RJ719 Pull: 3/4 Thick (thk) x 1-1/2 Width (w)
Cabinet-Drawer-Door Pulls
#RAJACK

D
 TYPE



3/4"
 MATERIAL THICKNESS

1-1/2"
 MATERIAL WIDTH

1-3/4"
 MATERIAL PROJECTION
Suggested

6" up to 36"
 MATERIAL OA LENGTH
Suggested

Available in Rear & Face Mount
Available in Back to Back
Available in All Finishes

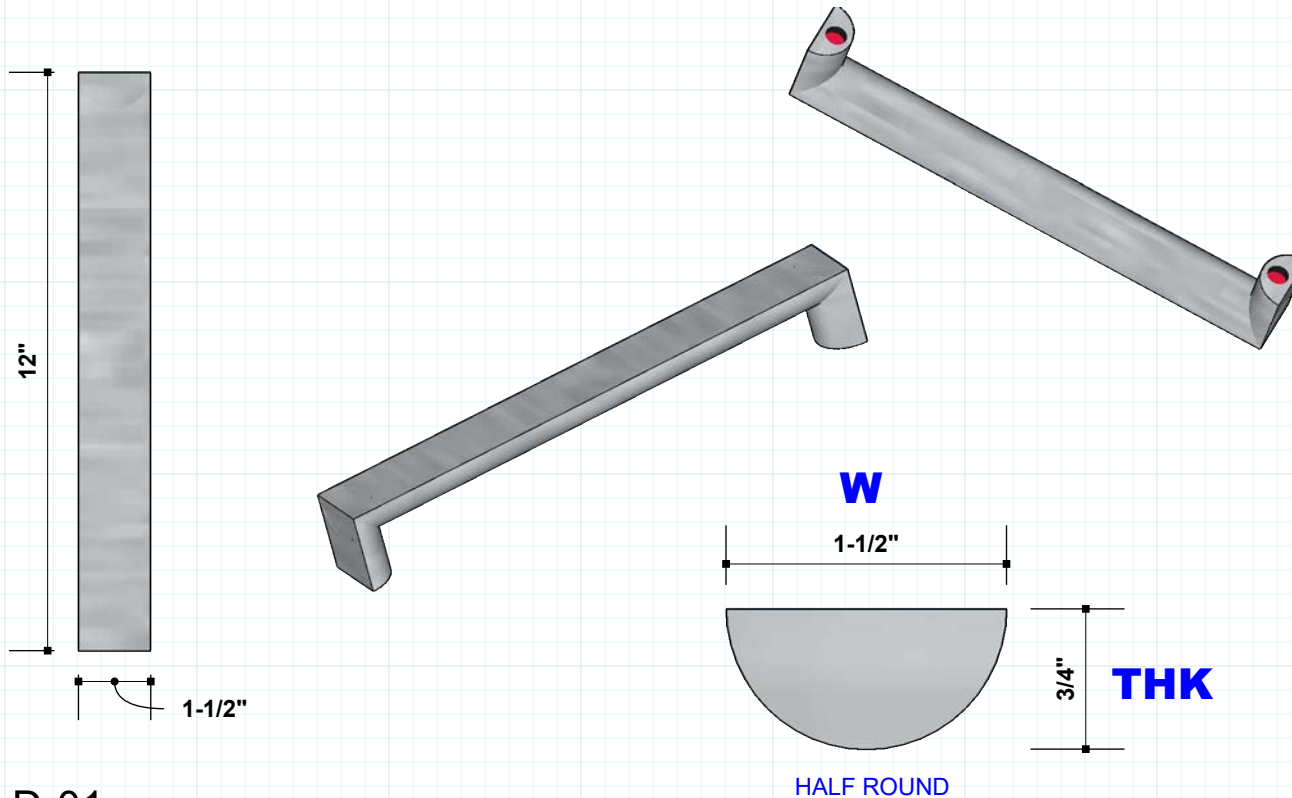
MANUFACTURED TO ORDER
 Other Material Sizes are available.

CALL-EMAIL TO DISCUSS



info@rajack.com

RAJACK HARDWARE
 95 Rome Street
 Farmingdale, NY 11735
 631-293-8273 Phone



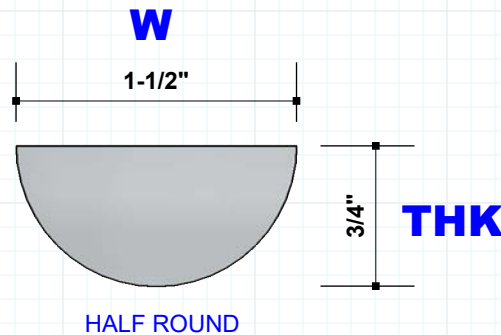
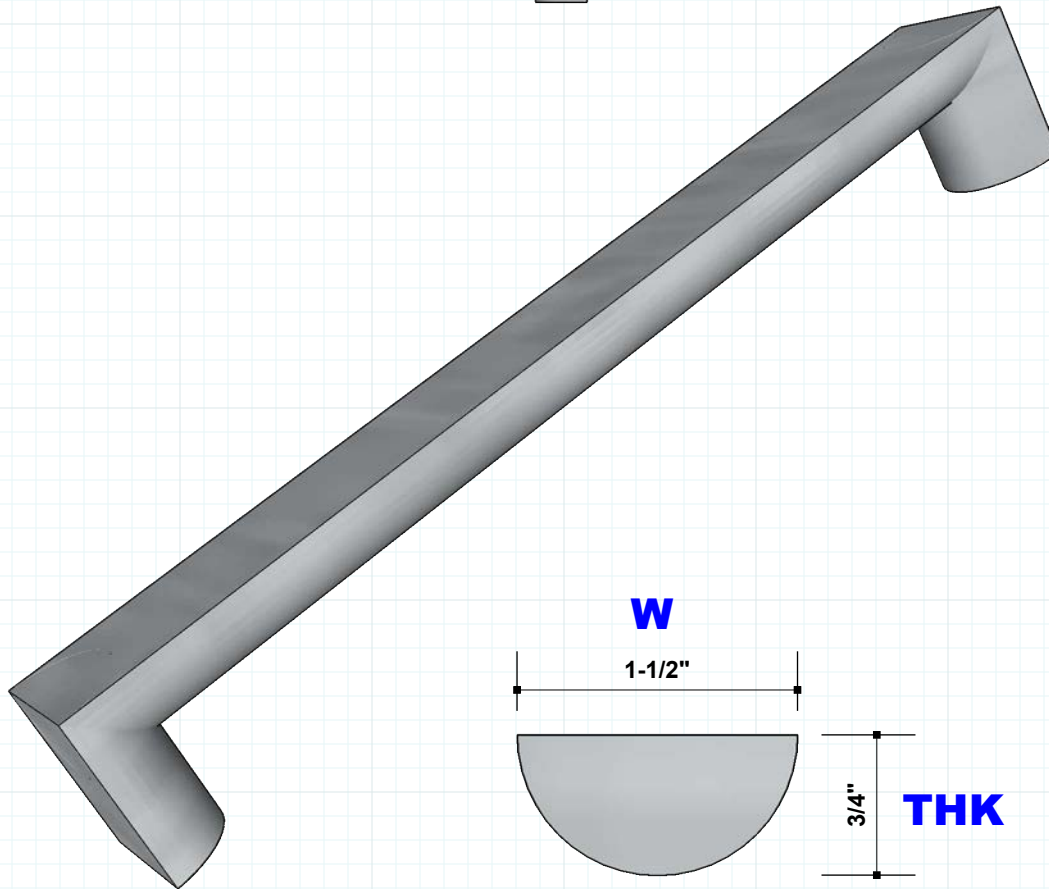
RJ719-D-01

RAJACK.com



RJ719 Pull: 3/4 Thick (thk) x 1-1/2 Width (w)
Cabinet-Drawer-Door Pulls
#RAJACK

D
 TYPE



3/4"

MATERIAL THICKNESS

1-1/2"

MATERIAL WIDTH

1-3/4"

MATERIAL PROJECTION

Suggested

6" up to 36"

MATERIAL OA LENGTH

Suggested

Available in Rear & Face Mount

Available in Back to Back

Available in All Finishes

MANUFACTURED TO ORDER

Other Material Sizes are available.

CALL-EMAIL TO DISCUSS



info@rajack.com

RAJACK HARDWARE

95 Rome Street
 Farmingdale, NY 11735
 631-293-8273 Phone

RJ719-D-02

RAJACK.com