



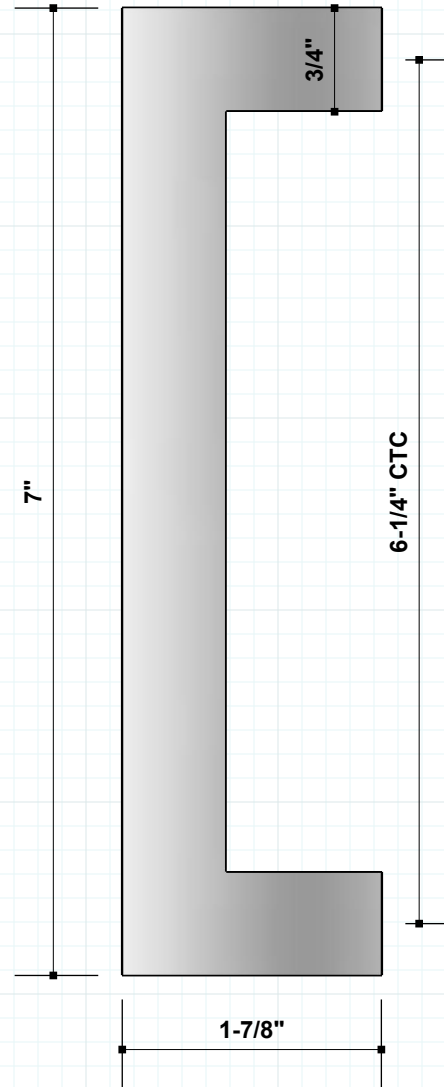
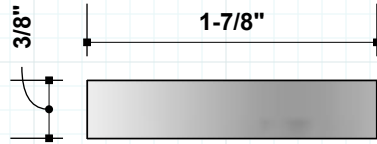
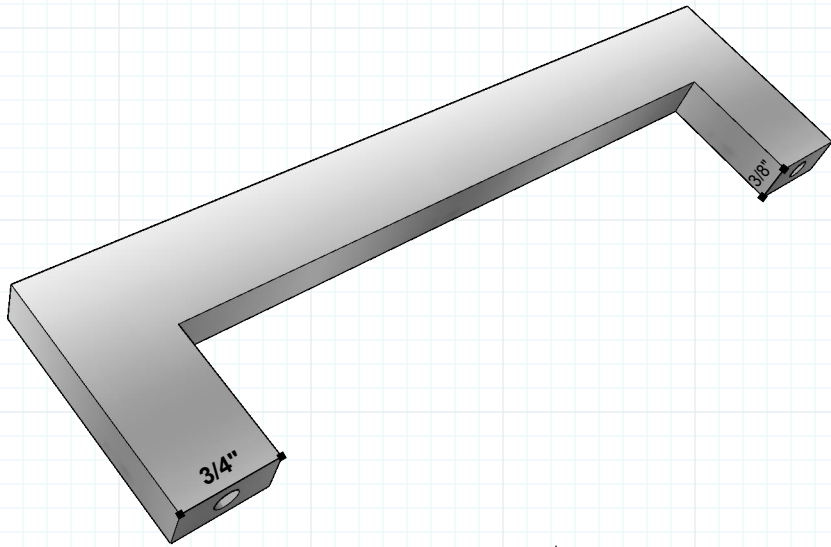
RJ701 Pull (Multi-Use)

Cabinet Door / Drawer / Full Size Door / Appliance

#RAJACK

TYPE

D



3/8"

MATERIAL THICKNESS (THK)

3/4"

MATERIAL WIDTH (W)

1-7/8"

MATERIAL PROJECTION (P)

3" up to 24"

MATERIAL OA LENGTH (L)

SAMPLE CUT SHEET

RJ701 Pull - TYPE D - 7" OA (6-1/4" CTC)

RJ701-D-1

 RAJACK.com

 [rajackhardware](https://www.instagram.com/rajackhardware)
Follow us on Instagram

info@rajack.com

RAJACK HARDWARE

95 Rome Street
Farmingdale, NY 11735
631-293-8273 Phone



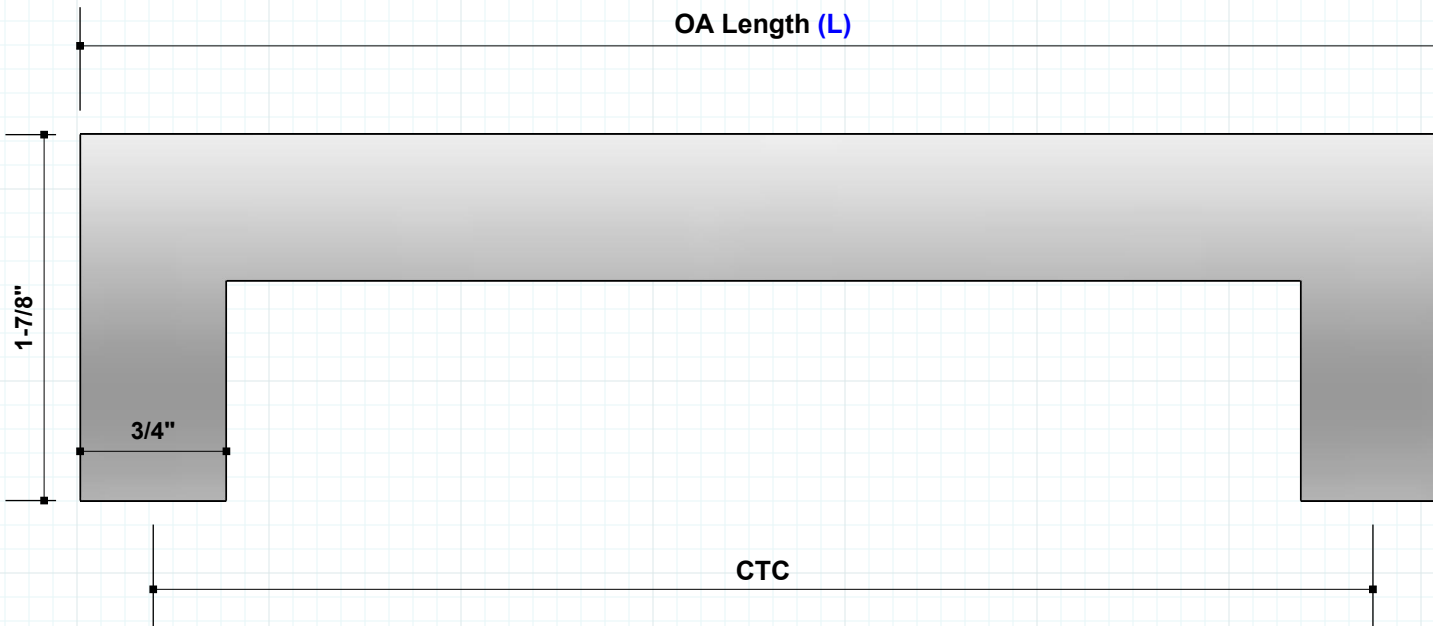
RJ701 Pull (Multi-Use)

Cabinet Door / Drawer / Full Size Door / Appliance

#RAJACK

TYPE

D



3/8"

MATERIAL THICKNESS (THK)

3/4"

MATERIAL WIDTH (W)

1-7/8"

MATERIAL PROJECTION (P)

2-3/4" up to 24"

MATERIAL OA LENGTH (L)



 **rajackhardware**
Follow us on Instagram

info@rajack.com

RAJACK HARDWARE

95 Rome Street
 Farmingdale, NY 11735
 631-293-8273 Phone

MANUFACTURED TO ORDER

Any of the parameters of this pull can be changed to suit your needs. We have made some design suggestions that fall within our normal production cycle for this part and type. Call / Email to discuss sizing.

RJ701-D-1

RAJACK.com