



RAJACK DD Style Roll Pull

Door / Cabinet / Drawer

#RAJACK #DD

RAJACK HARDWARE

95 Rome Street
Farmingdale, NY 11735
631-293-8273 Phone
631-293-3617 Fax

info@rajack.com

Finishes

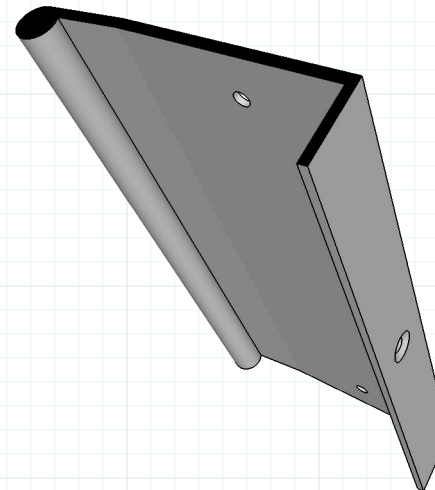
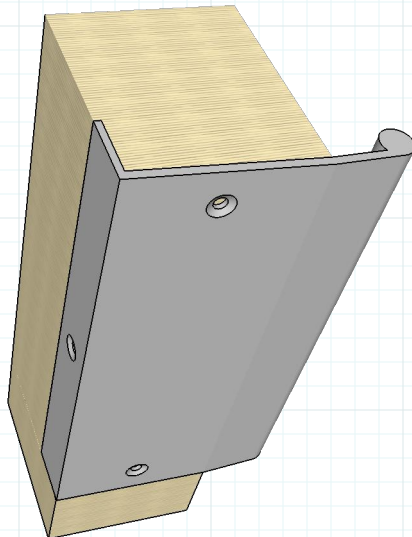
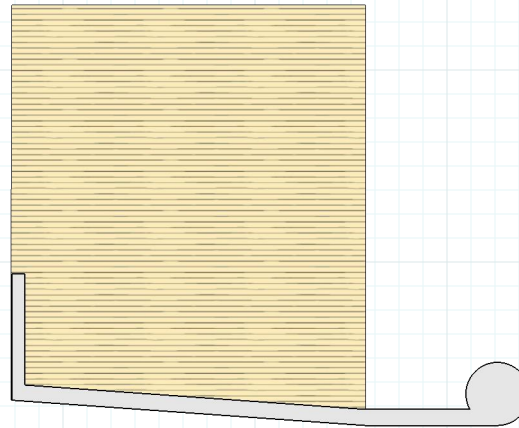
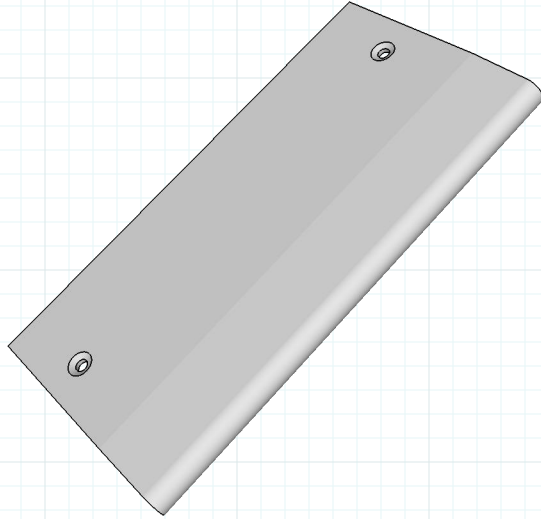
- US03 Pol.Brass
- US03A Pol.Brass N/L
- US04 Satin Brass
- US04A Satin Brass N/L
- US05 Antique Brass
- US09 Polished Bronze
- US10 Satin Bronze
- US10A Dark Bronze
- US10B Oil Rubbed Bronze
- US14 Pol.Nickel
- US14A Pol.Nickel N/L
- US15 Satin Nickel
- US15A Satin Nickel N/L
- US19 Satin Black
- US26 Pol.Chrome
- US26D Satin Chrome

Powder Coating All RAL Colors

All Benjamin Moore Colors

Match Your Sample

* RAJACK can match any custom or existing hardware finishes provided you submit a sample when placing order.



DD-01

 RAJACK.com

MADE TO ORDER

Material: 1/16th Thick
Screw: #6 x 1/2"

Social RAJACK

Additional Product Photos & Information
Featured On





RAJACK DD Style Roll Pull

Door / Cabinet / Drawer

#RAJACK #DD

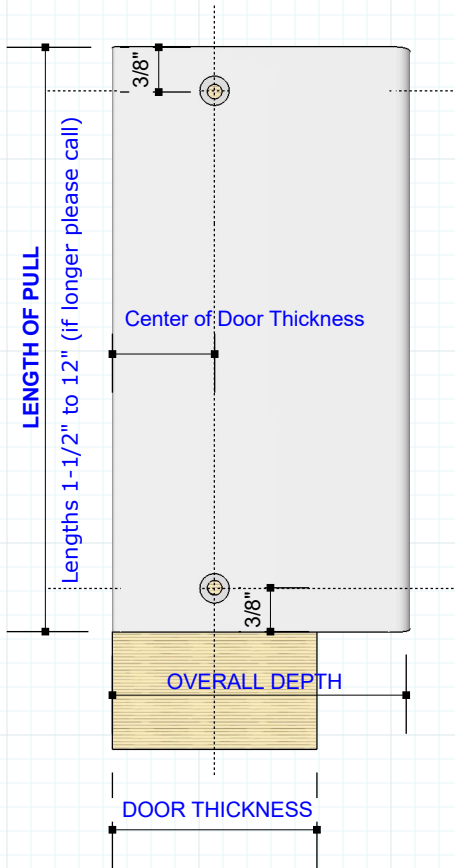
RAJACK HARDWARE

95 Rome Street
Farmingdale, NY 11735
631-293-8273 Phone
631-293-3617 Fax

info@rajack.com

Scratch Sheet

SIDE SCREW HOLE
from back of pull to center of
door thickness unless
otherwise noted.

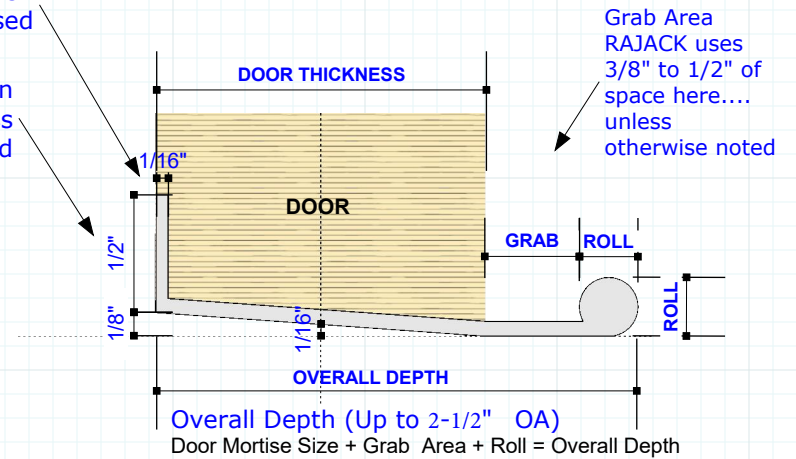


We assume flat flush
rear return mortised

Rear Return
1/2" unless
otherwise noted

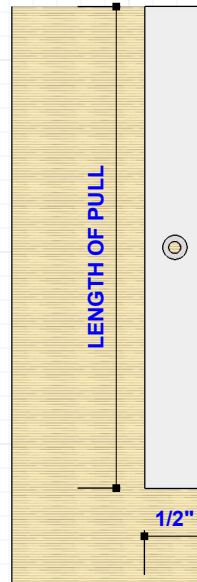
MADE TO ORDER

Material: 1/16th Thick
Screw: #6 x 1/2"



Grab Area
RAJACK uses
3/8" to 1/2" of
space here....
unless
otherwise noted

Rear Return



Note: screw holes can be
placed on **rear return**
only. Upon request. This
is only recommended on
pulls 4"L or less.

Roll Sizes
1/4"
3/8"
1/2"

DD-02

RAJACK.com

Finish (see DD-01) or website