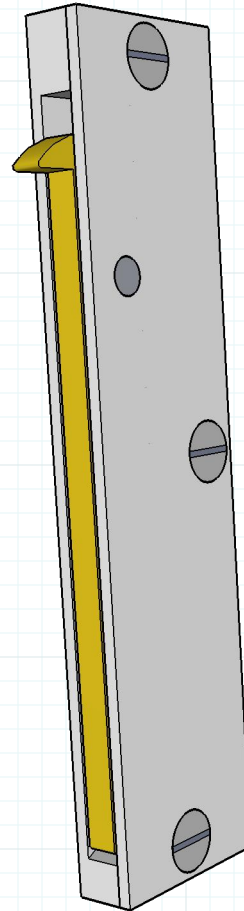
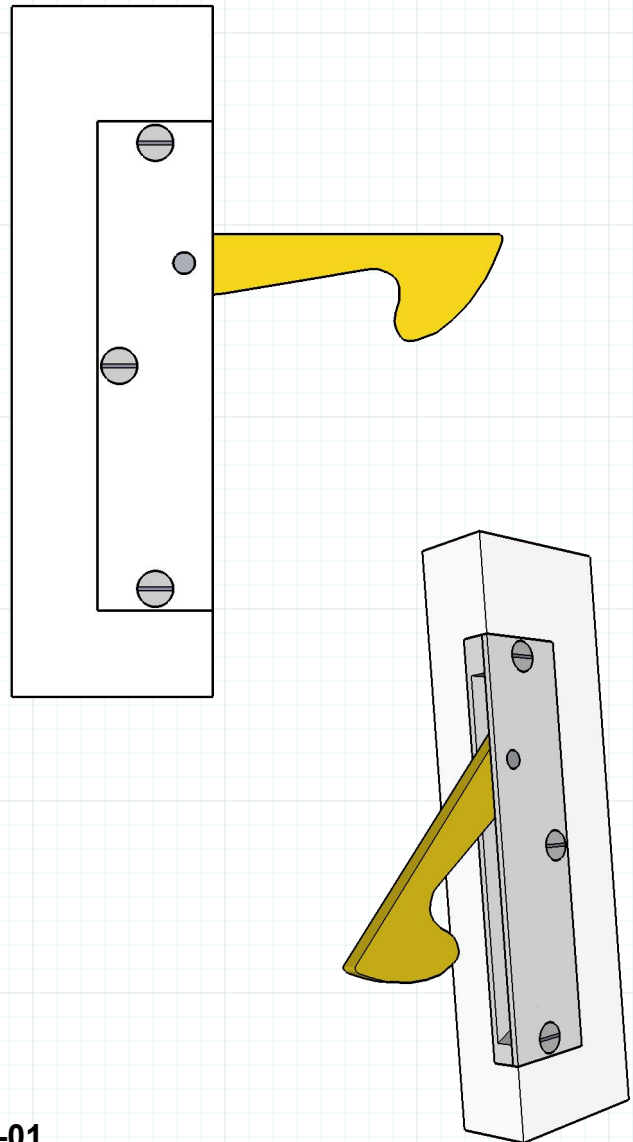




FE158 Knife Pull

Concealed Edge Pull

#RAJACK #FE158



RAJACK HARDWARE

95 Rome Street
Farmingdale, NY 11735
631-293-8273 Phone
631-293-3617 Fax

info@rajack.com

Finishes

US03 Pol.Brass
US03A Pol.Brass N/L
US04 Satin Brass
US04A Satin Brass N/L
US05 Antique Brass
US09 Polished Bronze
US10 Satin Bronze
US10A Dark Bronze
US10B Oil Rubbed Bronze
US14 Pol.Nickel
US14A Pol.Nickel N/L
US15 Satin Nickel
US15A Satin Nickel N/L
US19 Satin Black
US26 Pol.Chrome
US26D Satin Chrome

Powder Coating All RAL Colors

All Benjamin Moore Colors

Match Your Sample

* RAJACK can match any custom or existing hardware finishes provided you submit a sample when placing order.

Screw: #6 x 3/4" Philips Flat

FE158-01

 RAJACK.com

Social RAJACK

Additional Product Photos & Information
Featured On



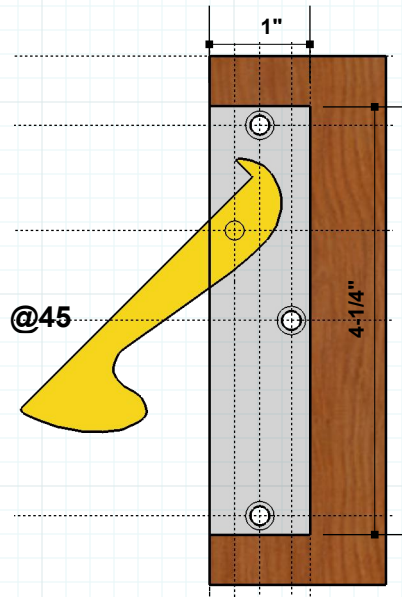
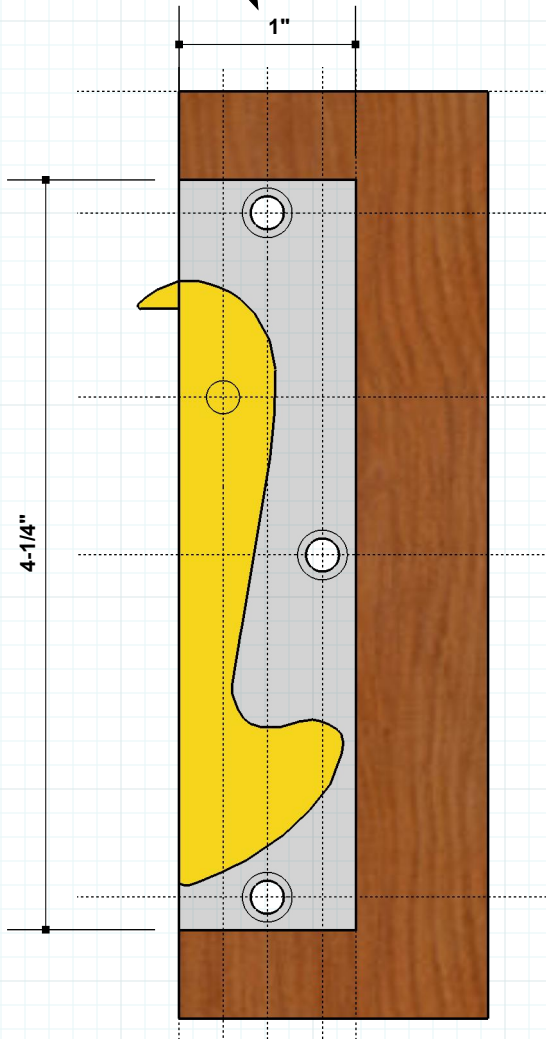


FE158 Knife Pull

Concealed Edge Pull

#RAJACK #FE158

Available Depth of 1" or 3/4"
Need a larger than 1" depth see the FE158F



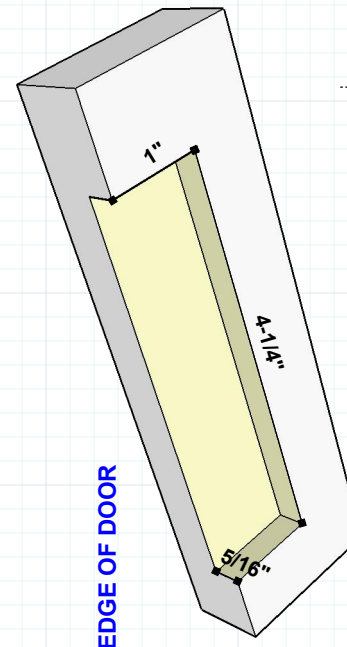
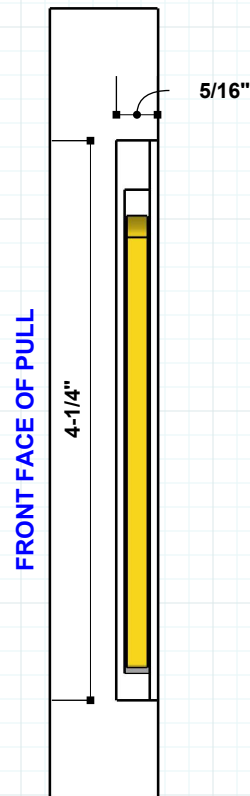
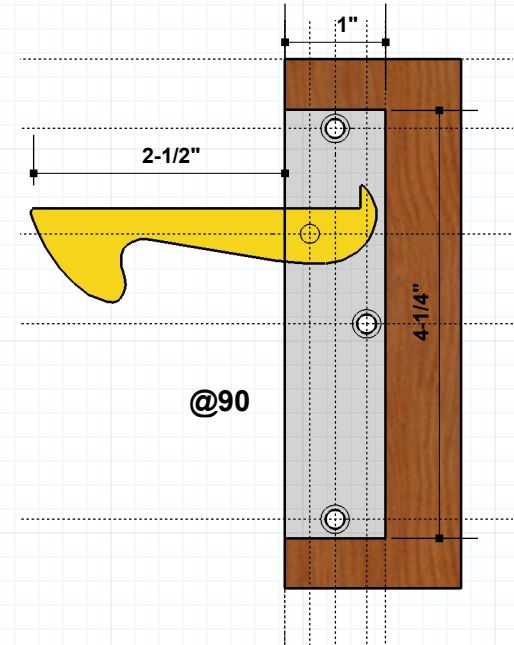
RAJACK HARDWARE

95 Rome Street
Farmingdale, NY 11735

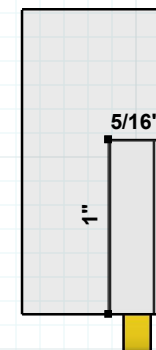
631-293-8273 Phone

631-293-3617 Fax

info@rajack.com



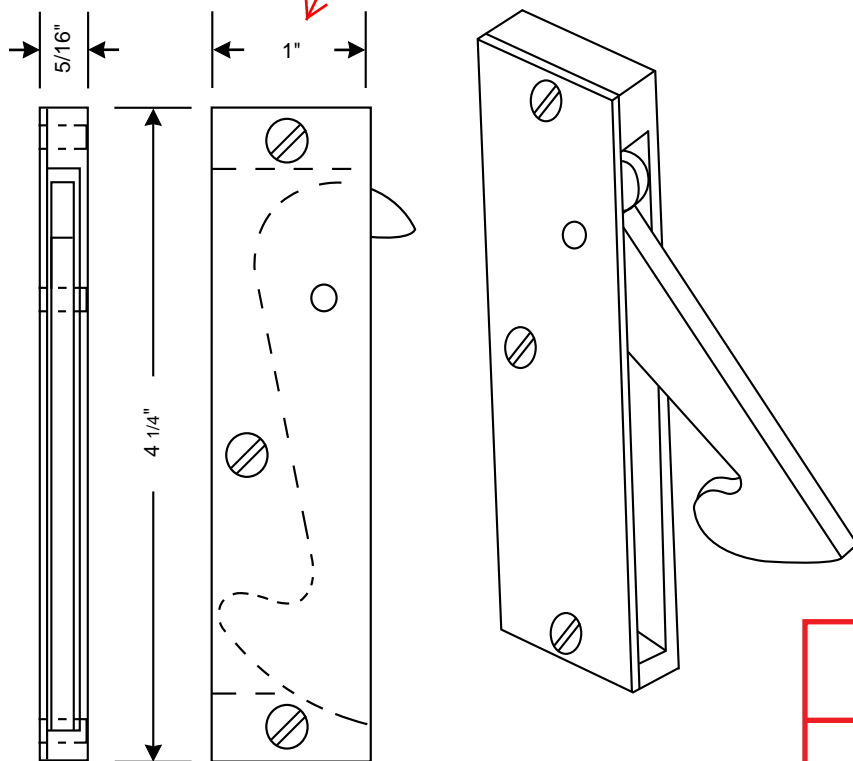
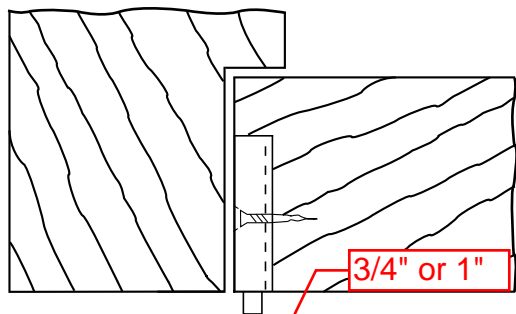
Screw: #6 x 3/4" Philips Flat



FE158-02

RAJACK.com

#RAJACK #FE158 #EdgePull



Depth: See Size List
 Width: 5/16"
 Length: 4 1/4"

Standard Sizes

3/4"
 1"

- Standard Finishes**
- US3 - Polished Brass
 - US3A - Polished Brass (No Lacquer)
 - US4 - Satin Brass
 - US4A - Satin Brass (No Lacquer)
 - US10 - Bright Bronze
 - US10B - Oil Rubbed Bronze
 - US14 - Polished Nickel
 - US15 - Satin Nickel
 - US26 - Polished Chrome
 - US26D - Satin Chrome

