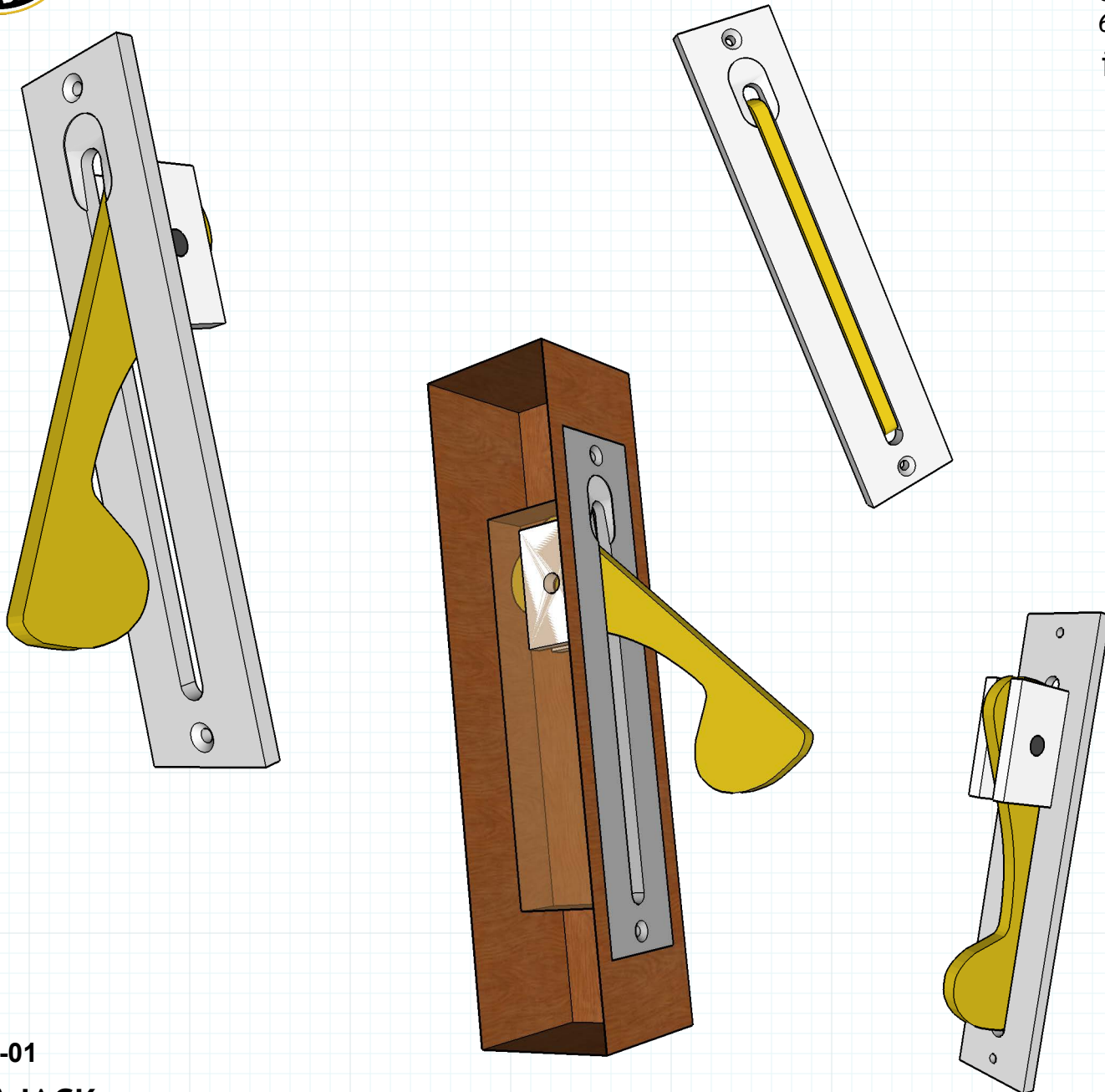




# FE172 Pocket Door Pull

Pocket Door Pulls (Thickness)

#RAJACK #FE172



## RAJACK HARDWARE

95 Rome Street  
Farmingdale, NY 11735  
631-293-8273 Phone  
631-293-3617 Fax

info@rajack.com

### Finishes

- US03 Pol.Brass
- US03A Pol.Brass N/L
- US04 Satin Brass
- US04A Satin Brass N/L
- US05 Antique Brass
- US09 Polished Bronze
- US10 Satin Bronze
- US10A Dark Bronze
- US10B Oil Rubbed Bronze
- US14 Pol.Nickel
- US14A Pol.Nickel N/L
- US15 Satin Nickel
- US15A Satin Nickel N/L
- US19 Satin Black
- US26 Pol.Chrome
- US26D Satin Chrome

**Powder Coating All RAL Colors**

**All Benjamin Moore Colors**

**Match Your Sample**

\* RAJACK can match any custom or existing hardware finishes provided you submit a sample when placing order.

Screw: #6 x 3/4" Philips Flat

Social RAJACK

Additional Product Photos & Information  
Featured On



FE172-01

RAJACK.com



# FE172 Pocket Door Pull

Pocket Door Pulls (Thickness)

#RAJACK #FE172

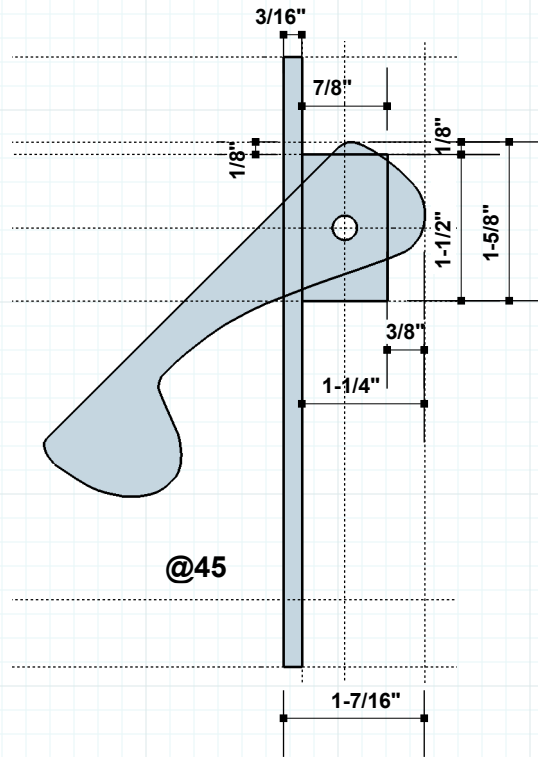
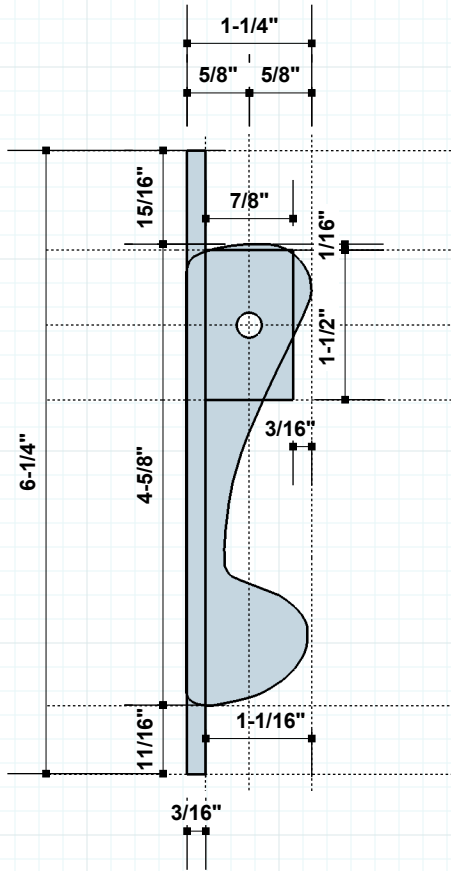
## RAJACK HARDWARE

95 Rome Street  
Farmingdale, NY 11735

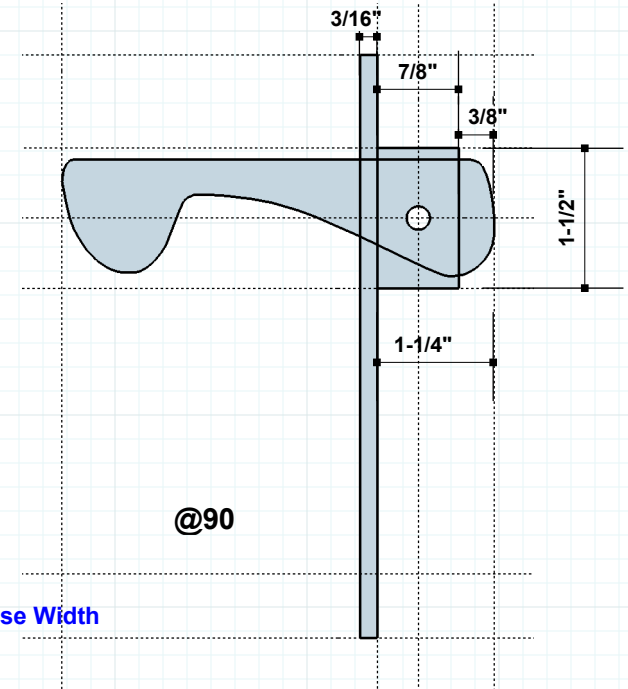
631-293-8273 Phone

631-293-3617 Fax

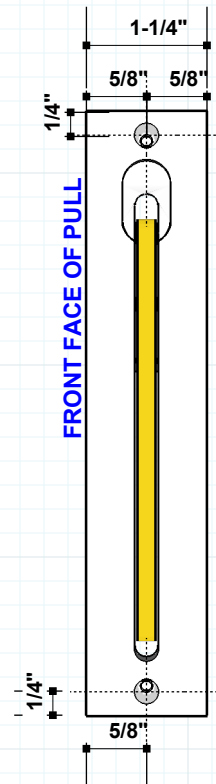
info@rajack.com



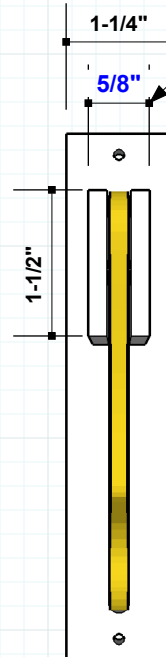
@45



@90

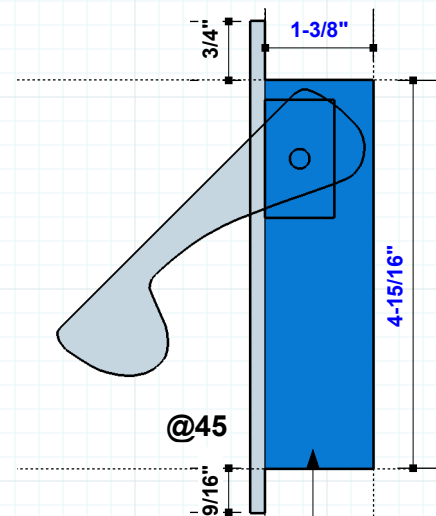


FRONT FACE OF PULL



BACK OF PULL

Suggested Pocket Mortise Width  
5/8th to 3/4



@45

SUGGESTED POCKET MORTISE

FE172-02

RAJACK.com



# FE172 Pocket Door Pull

Pocket Door Pulls (Thickness)

#RAJACK #FE172

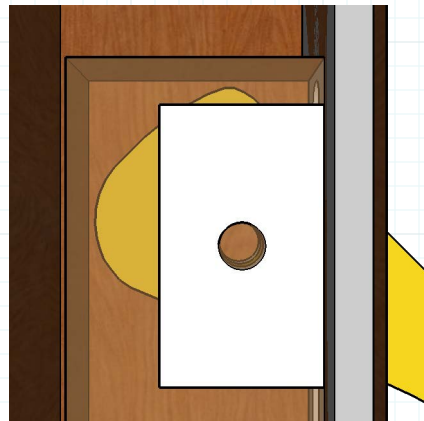
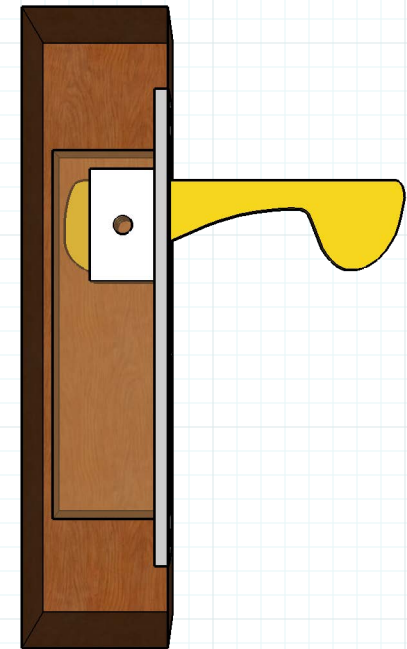
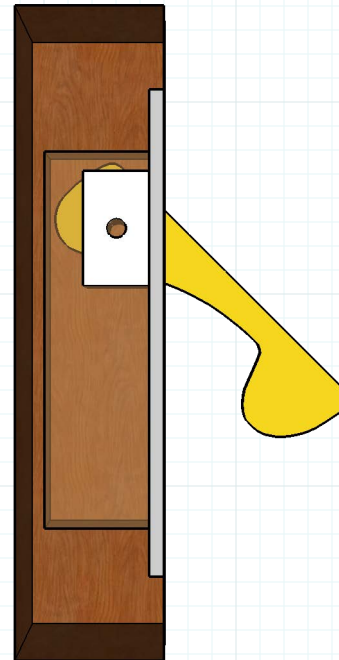
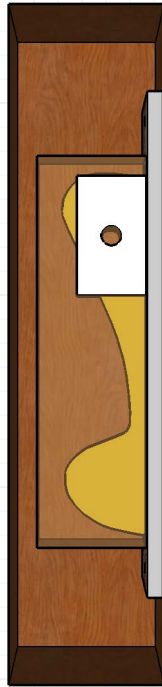
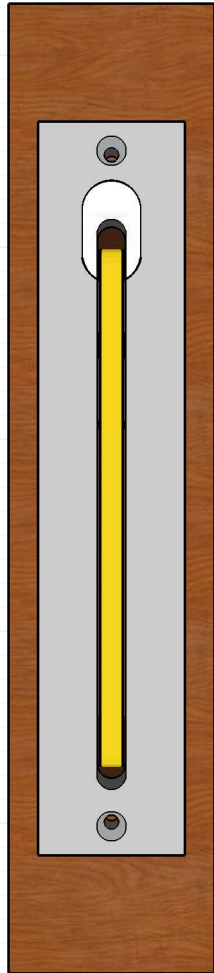
## RAJACK HARDWARE

95 Rome Street  
Farmingdale, NY 11735

631-293-8273 Phone

631-293-3617 Fax

[info@rajack.com](mailto:info@rajack.com)



FE172-03

 RAJACK.com

**Suggested Pocket Shown**

See Page FE172-02



# FE172 Pocket Door Pull

Pocket Door Pulls (Thickness)

#RAJACK #FE172

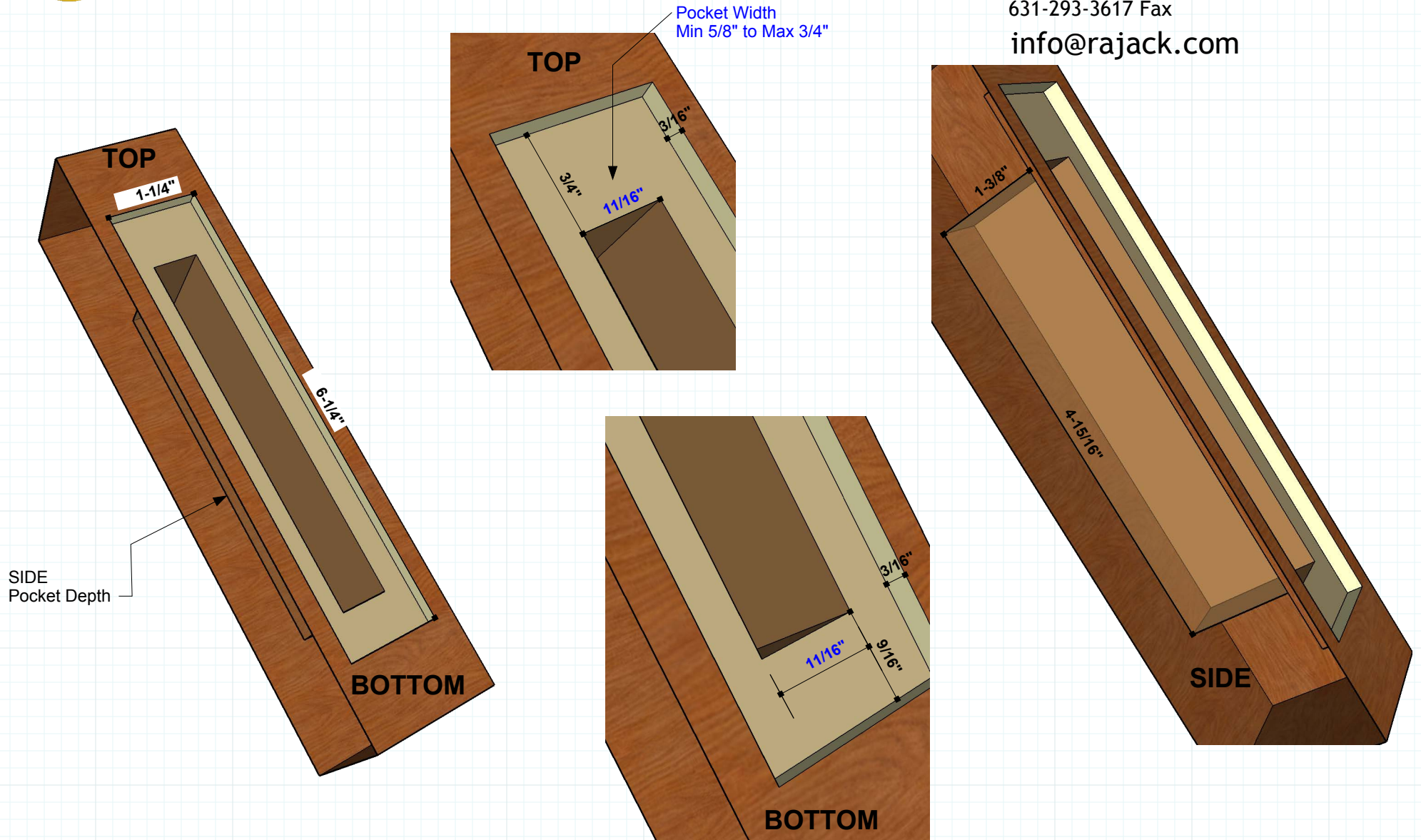
## RAJACK HARDWARE

95 Rome Street  
Farmingdale, NY 11735

631-293-8273 Phone

631-293-3617 Fax

info@rajack.com



FE172-04

RAJACK.com

Suggested Pocket Shown

See Page FE172-02