



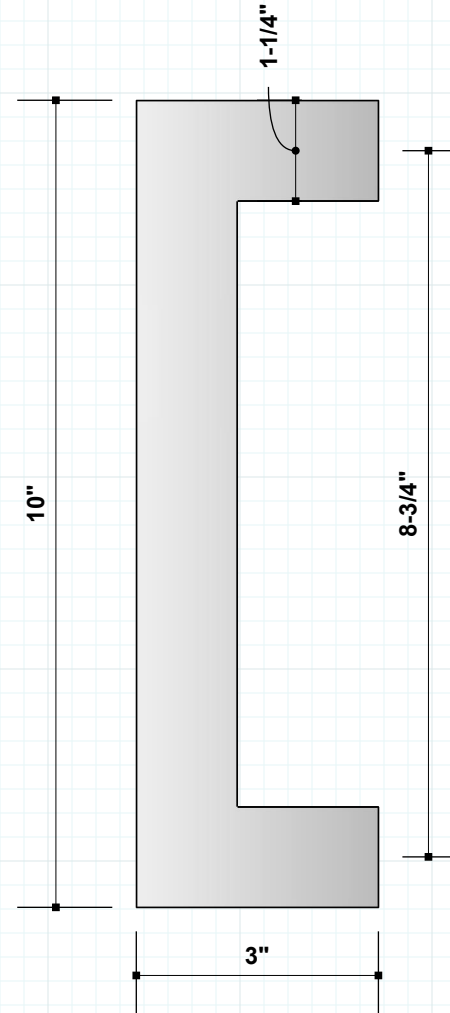
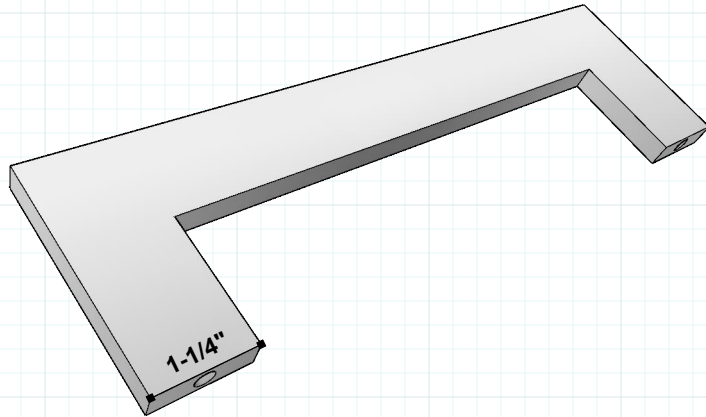
# RJ701 Pull (Multi-Use)

Cabinet Door / Drawer / Full Size Door / Appliance

#RAJACK

# TYPE

# H



**3/8"**

MATERIAL THICKNESS (THK)

**1-1/4"**

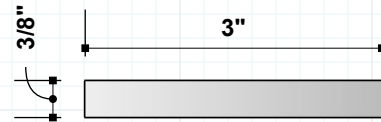
MATERIAL WIDTH (W)

**3-00"**

MATERIAL PROJECTION (P)

**10" to 18"**

MATERIAL OA LENGTH (L)



Back Plate  
available for this  
type or any of the  
other 701 types

## SAMPLE CUT SHEET

RJ701 Pull - TYPE H - 10" OA (8-3/4" CTC)

Formerly RJ1025



**info@rajack.com**

**RAJACK HARDWARE**

95 Rome Street  
Farmingdale, NY 11735  
631-293-8273 Phone

RJ701-H-1

**RAJACK.com**



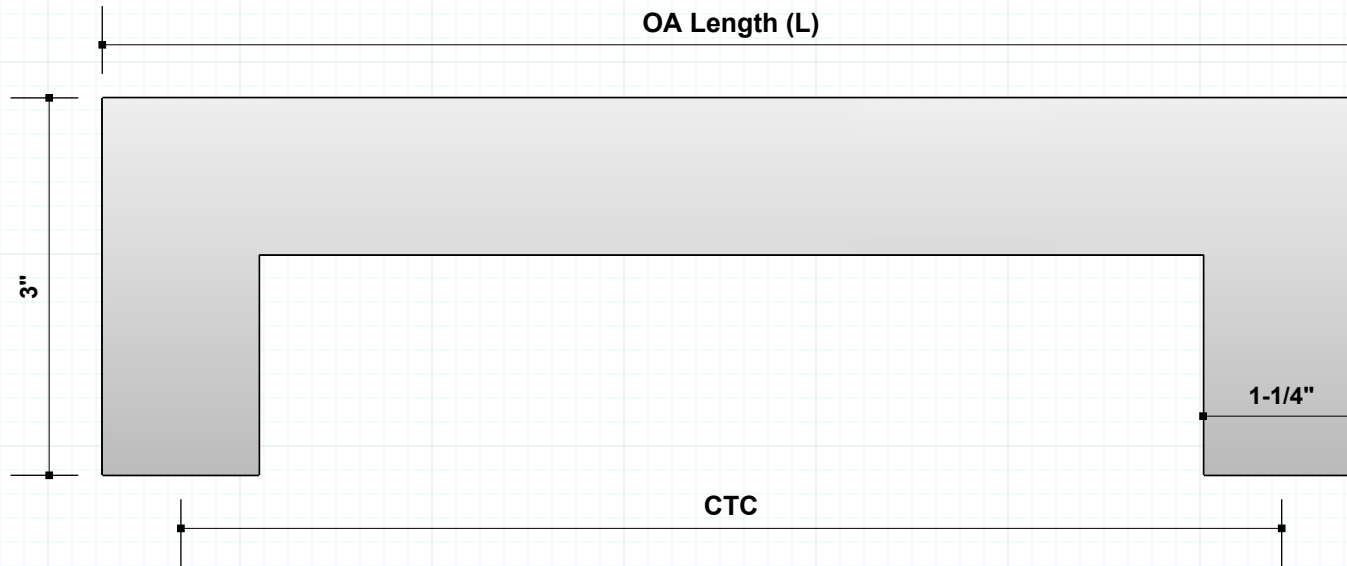
# RJ701 Pull (Multi-Use)

Cabinet Door / Drawer / Full Size Door / Appliance

#RAJACK

# TYPE

# H



## 3/8"

MATERIAL THICKNESS (THK)

## 1-1/4"

MATERIAL WIDTH (W)

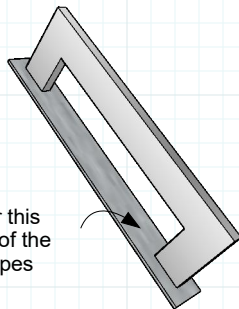
## 3-00"

MATERIAL PROJECTION (P)

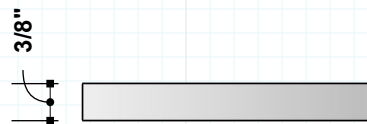
## 10" to 16"

MATERIAL OA LENGTH (L)

Formerly RJ1025



Back Plate available for this type or any of the other 701 types



## MANUFACTURED TO ORDER

Any of the parameters of this pull can be changed to suit your needs. We have made some design suggestions that fall within our normal production cycle for this part and type. Call / Email to discuss sizing.



## info@rajack.com

### RAJACK HARDWARE

95 Rome Street  
Farmingdale, NY 11735  
631-293-8273 Phone

## RJ701-H-2

## RAJACK.com