



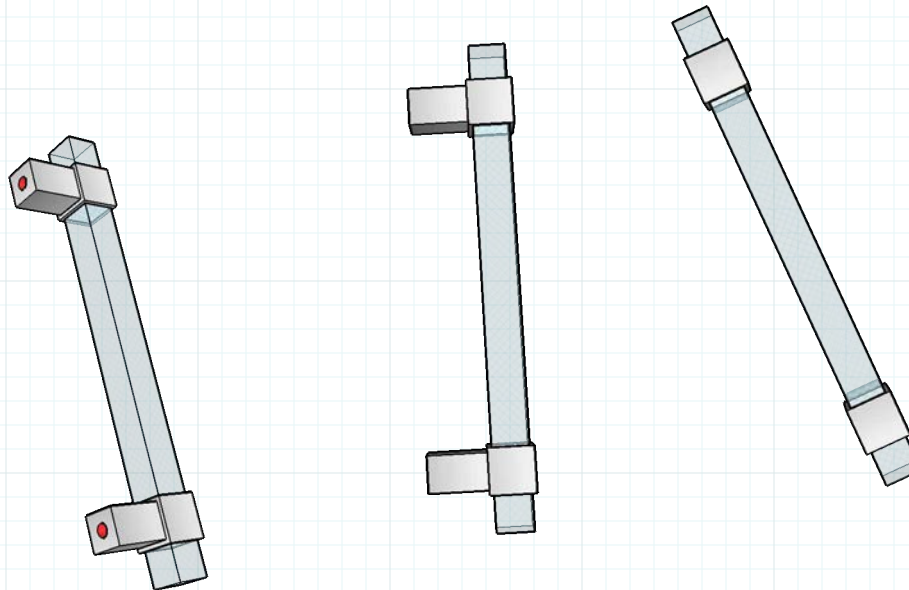
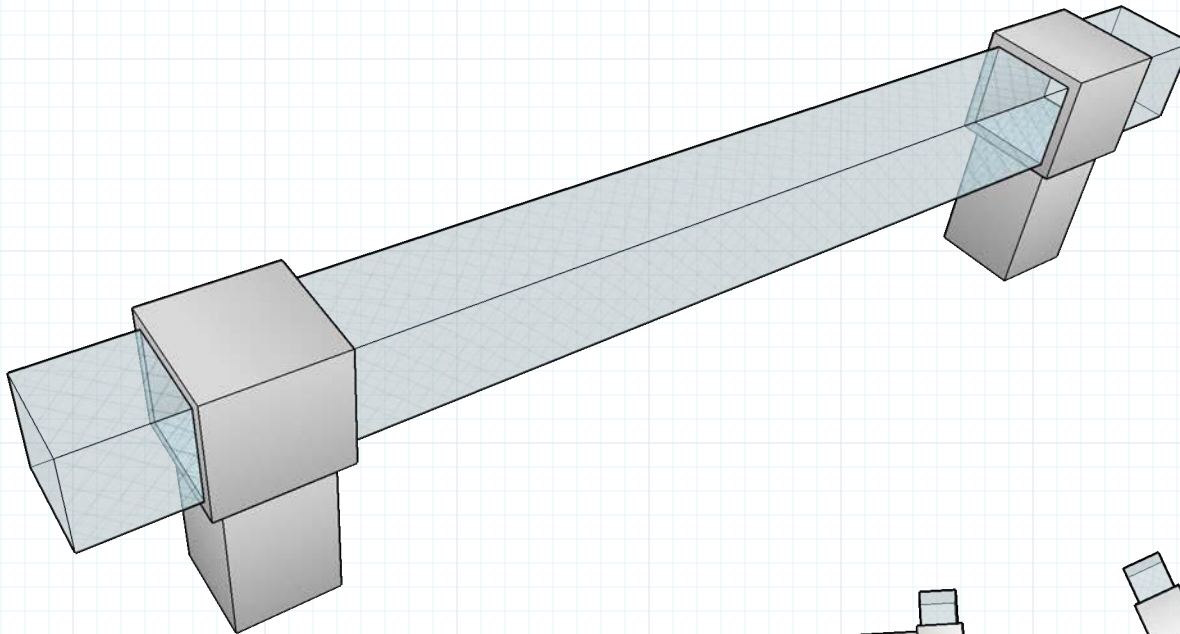
# RJ1065 Pull - TYPE A

Cabinet - Door - Drawer

#RAJACK

# A

TYPE



Machine Screw 8-32 x 1"

### Finishes

- US03 Pol.Brass
- US03A Pol.Brass N/L
- US04 Satin Brass
- US04A Satin Brass N/L
- US05 Antique Brass
- US09 Polished Bronze
- US10 Satin Bronze
- US10A Dark Bronze
- US10B Oil Rubbed Bronze
- US14 Pol.Nickel
- US14A Pol.Nickel N/L
- US15 Satin Nickel
- US15A Satin Nickel N/L
- US19 Satin Black
- US26 Pol.Chrome
- US26D Satin Chrome

**Powder Coating All RAL Colors**

### Match Your Sample

\* RAJACK can match any custom or existing hardware finishes provided you submit a sample when placing order.



**info@rajack.com**

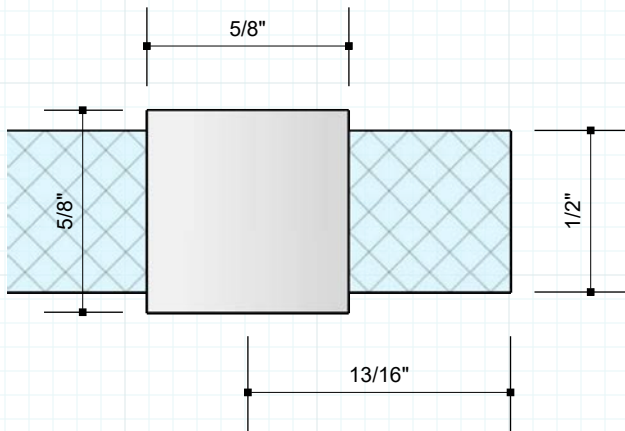
**RAJACK HARDWARE**  
95 Rome Street  
Farmingdale, NY 11735  
631-293-8273 Phone



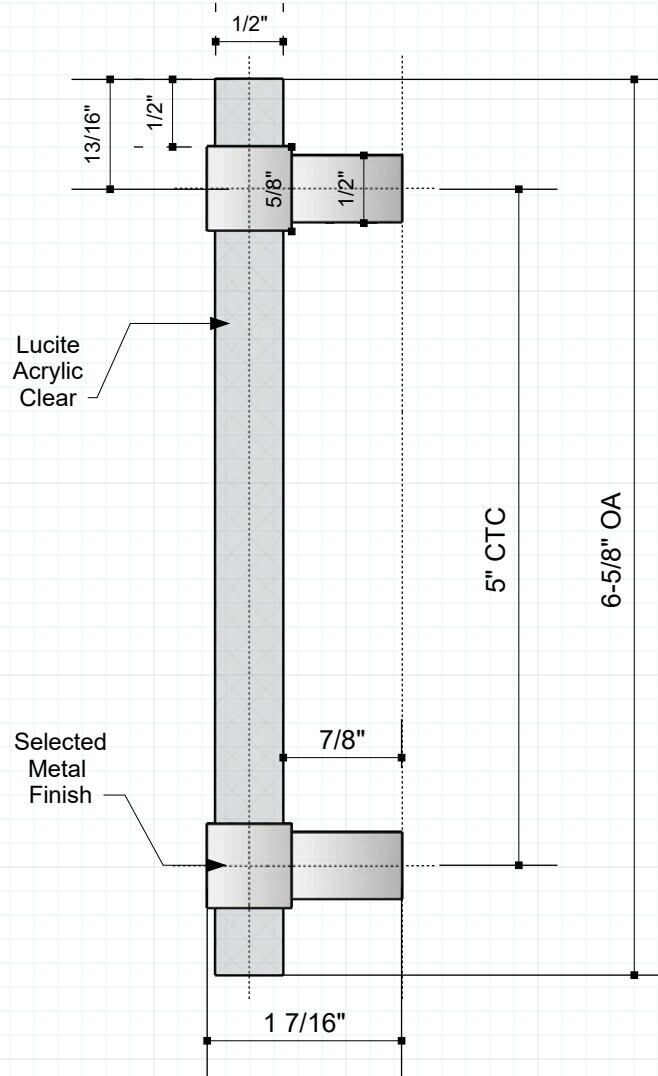
**RJ1065 Pull - TYPE A**  
Cabinet - Door - Drawer  
**#RAJACK**

**A**

TYPE



**Example Shown**  
5" CTC ( 6- 5/8" OA)  
1 7/16" Projection  
7/8" Grab Area



**1/2"**

MATERIAL THICKNESS

**1/2"**

MATERIAL WIDTH

**1-7/16"**

MATERIAL PROJECTION

Minimum Suggested

**12-5/8"**

Max OA Length

Machine Screw 8-32 x 1"

 **rajackhardware**  
Follow us on Instagram

**info@rajack.com**

**RAJACK HARDWARE**

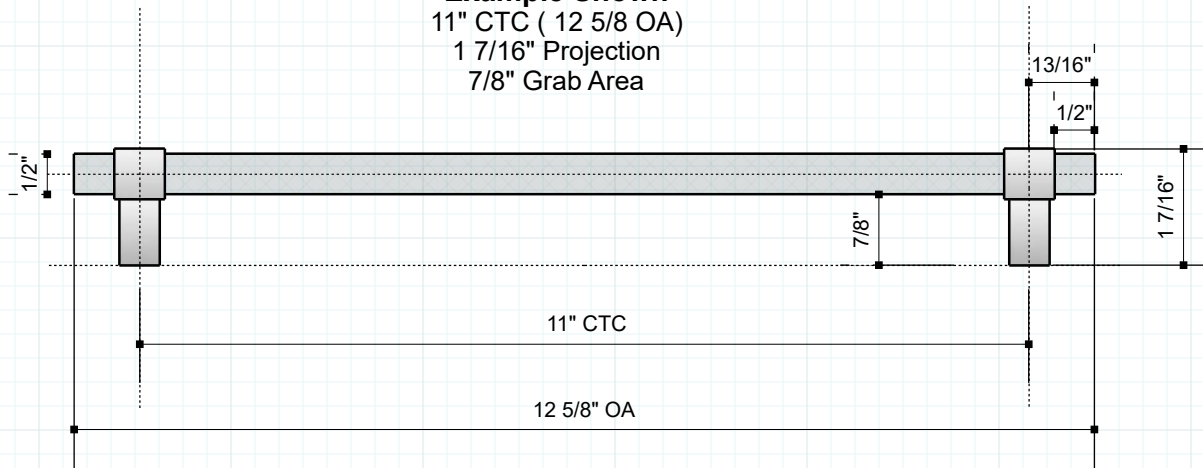
95 Rome Street  
Farmingdale, NY 11735  
631-293-8273 Phone



**RJ1065 Pull - TYPE A**  
Cabinet - Door - Drawer  
#RAJACK

**A**  
TYPE

**Example Shown**  
11" CTC ( 12 5/8" OA)  
1 7/16" Projection  
7/8" Grab Area



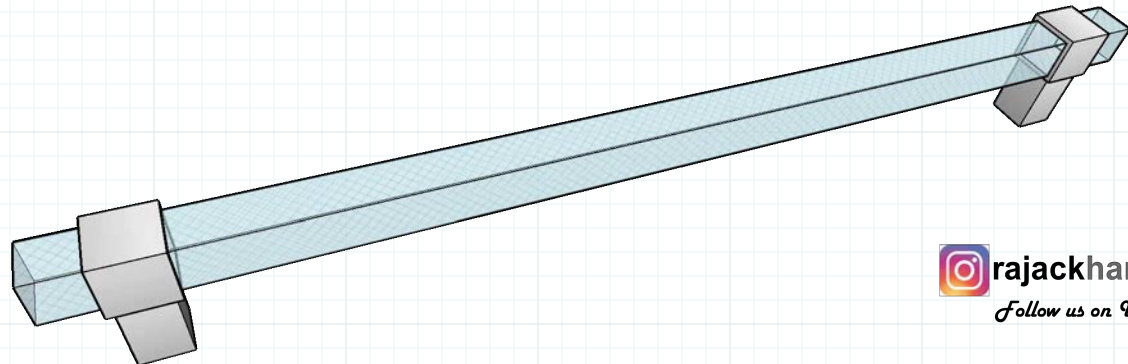
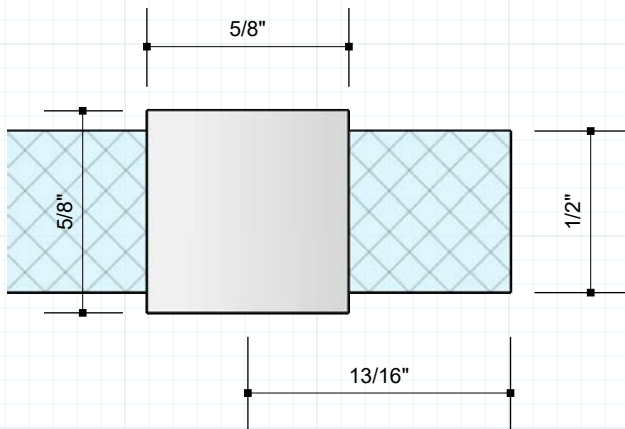
**1/2"**  
MATERIAL THICKNESS

**1/2"**  
MATERIAL WIDTH

**1-7/16"**  
MATERIAL PROJECTION  
*Minimum Suggested*

**12-5/8"**  
Max OA Length

Machine Screw 8-32 x 1"



**rajackhardware**  
*Follow us on Instagram*

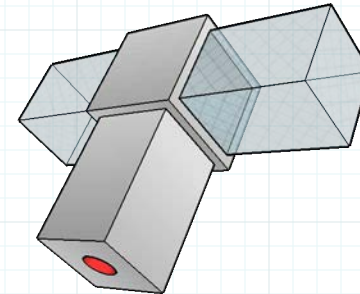
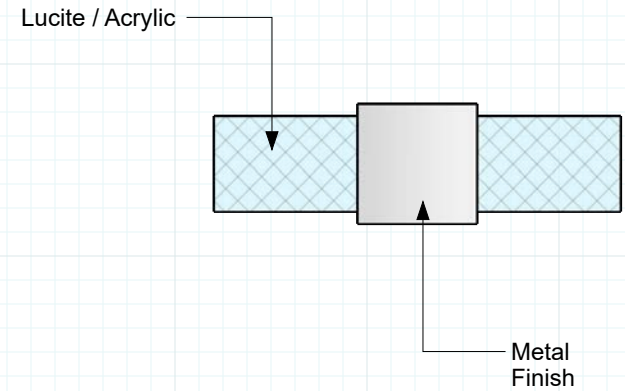
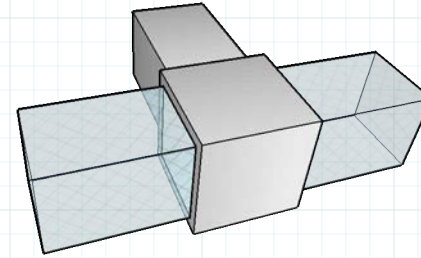
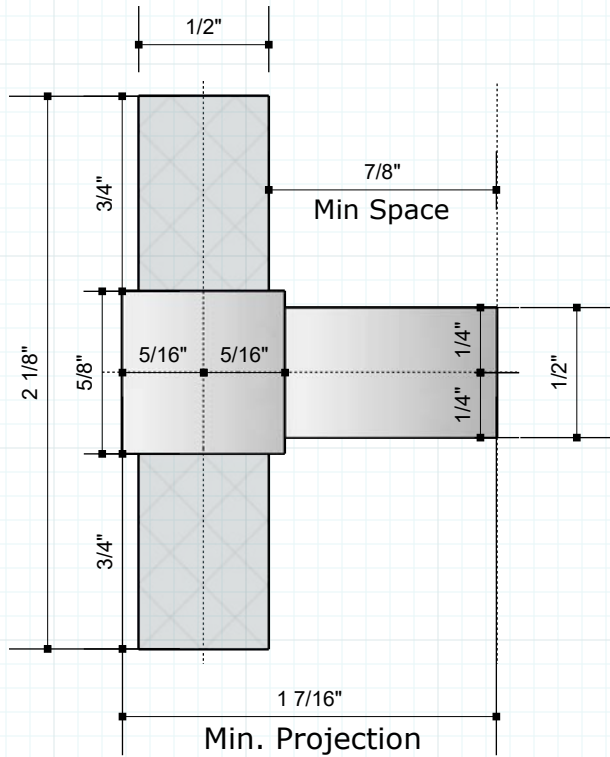
**info@rajack.com**

**RAJACK HARDWARE**  
95 Rome Street  
Farmingdale, NY 11735  
631-293-8273 Phone



**RJ1065 Pull - TYPE A**  
 Cabinet - Door - Drawer  
 #RAJACK

**A**  
 TYPE



TYPE A STYLE : "T" PULL

Machine Screw 8-32 x 1"

 **rajackhardware**  
 Follow us on Instagram

**info@rajack.com**

**RAJACK HARDWARE**  
 95 Rome Street  
 Farmingdale, NY 11735  
 631-293-8273 Phone