



# RJ75 3-1/2" x 1-5/8" Flush Pull

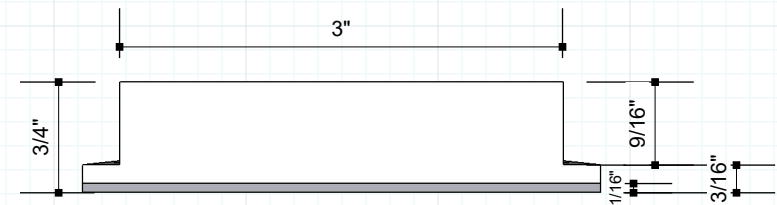
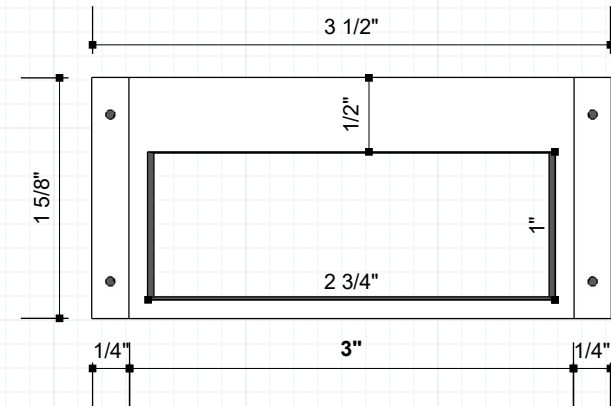
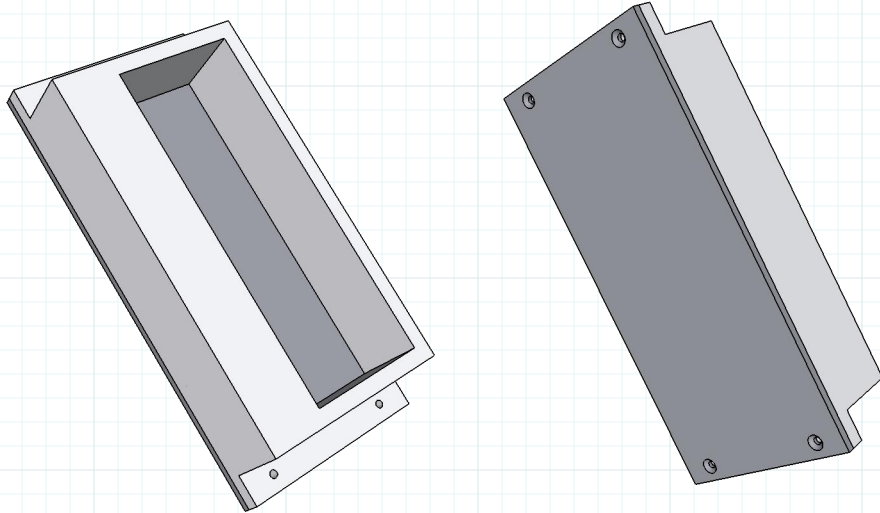
Recessed Flush Pull: Door / Draw / Cabinet

#RAJACK #RJ75

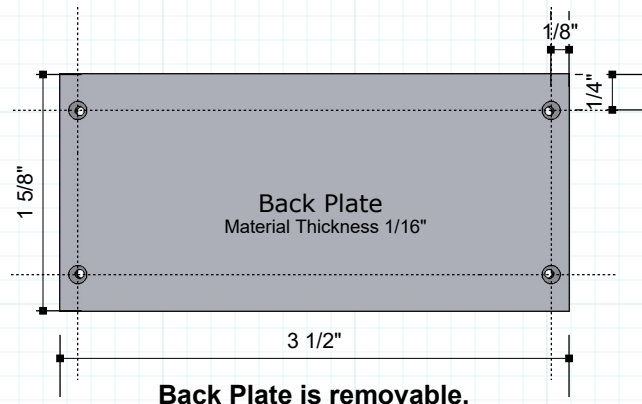
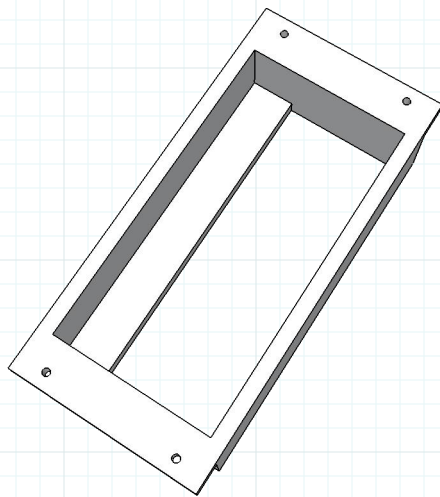
## RAJACK HARDWARE Co.

95 Rome Street  
Farmingdale, NY 11735  
631-293-8273 Phone  
631-293-3617 Fax

info@rajack.com



Screws: #4 x 1/2" Philips Flat



Back Plate is removable.

This item is available in standard sizes or can be manufactured to your specifications.

RAJACK will review and determine if request is possible.

Social RAJACK  
Additional Product Photos & Information  
Featured On





# RJ75 3-1/2" x 1-5/8" Flush Pull

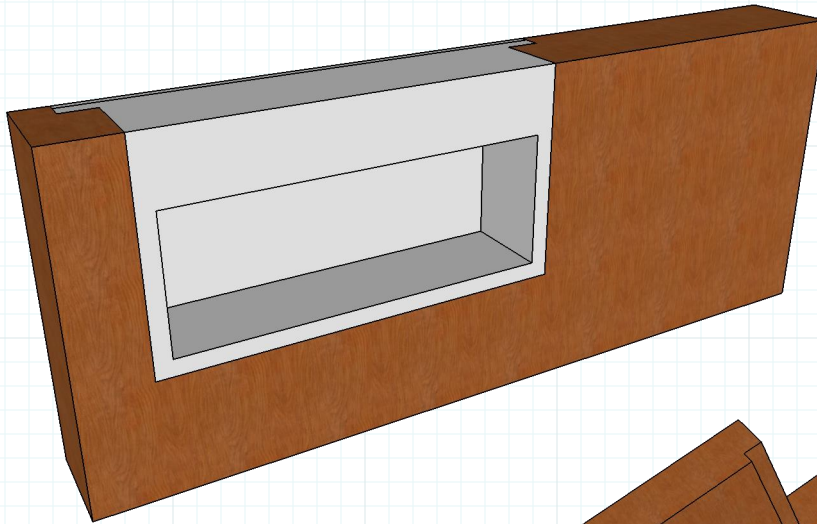
Recessed Flush Pull: Door / Draw / Cabinet

#RAJACK #RJ75

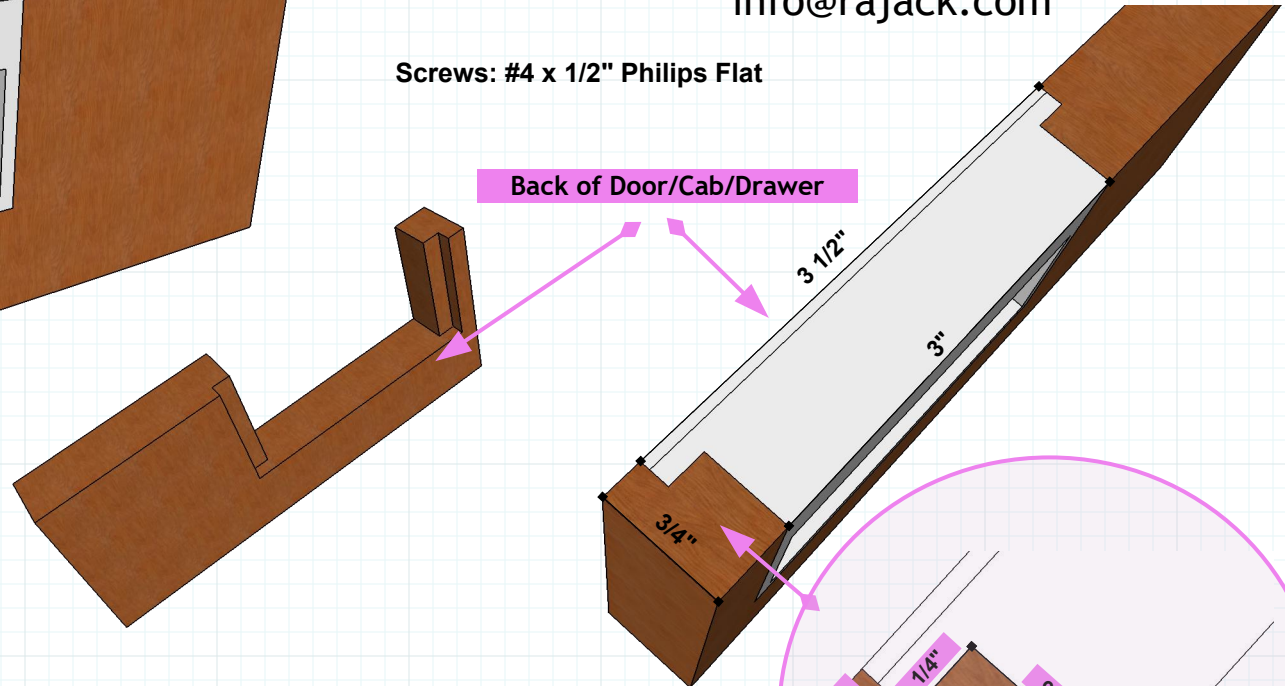
## RAJACK HARDWARE Co.

95 Rome Street  
Farmingdale, NY 11735  
631-293-8273 Phone  
631-293-3617 Fax

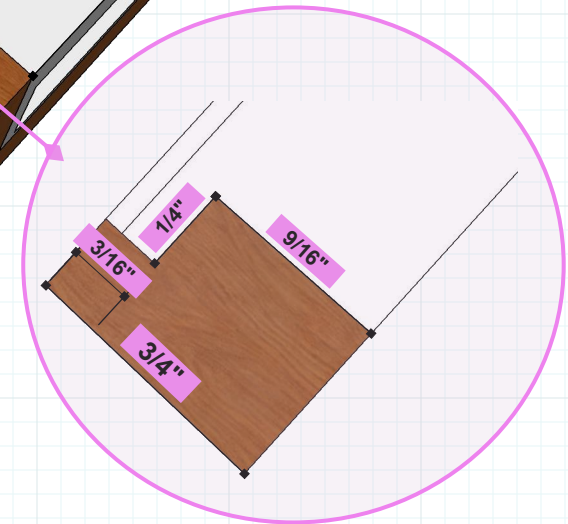
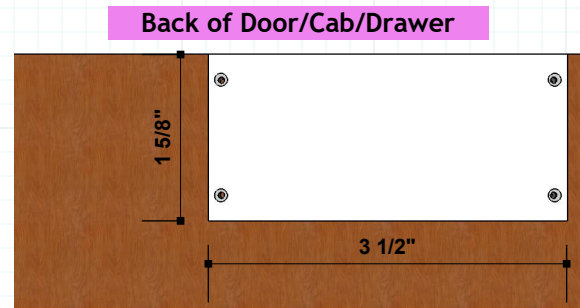
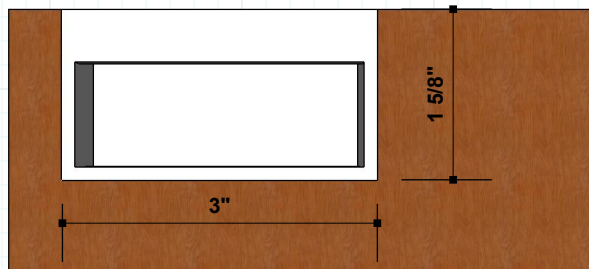
info@rajack.com



Screws: #4 x 1/2" Philips Flat



Install horizontal or vertical



This item is available in standard sizes or can be manufactured to your specifications.

RAJACK will review and determine if request is possible.

Install Idea #1

RAJACK.com

Social RAJACK

Additional Product Photos & Information  
Featured On





# RJ75 3-1/2" x 1-5/8" Flush Pull

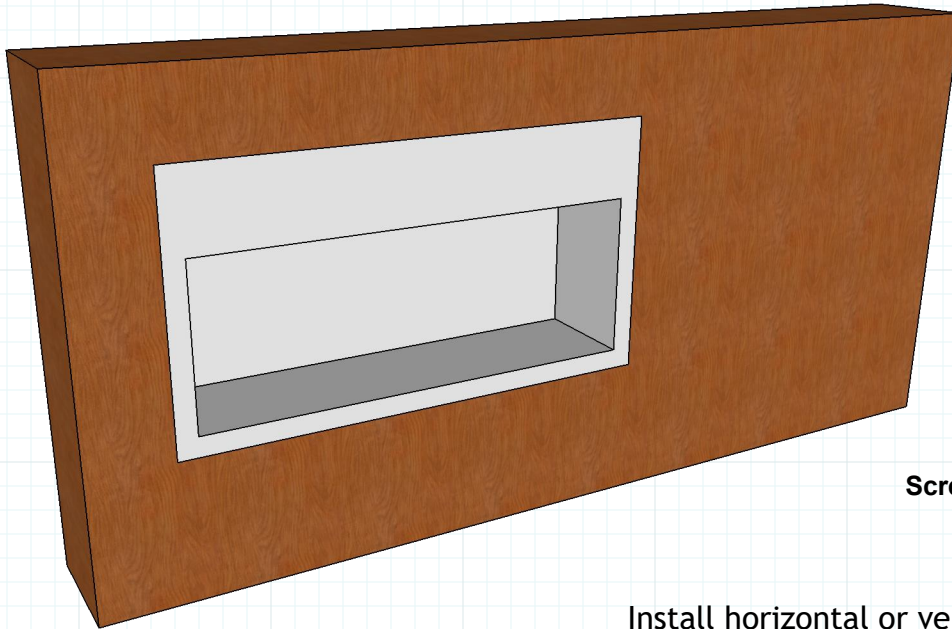
Recessed Flush Pull: Door / Draw / Cabinet

#RAJACK #RJ75

## RAJACK HARDWARE Co.

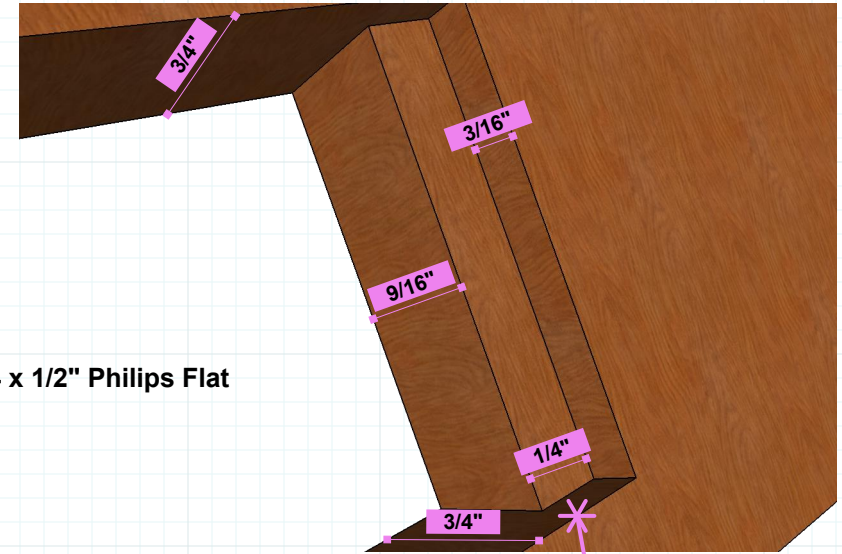
95 Rome Street  
Farmingdale, NY 11735  
631-293-8273 Phone  
631-293-3617 Fax

info@rajack.com

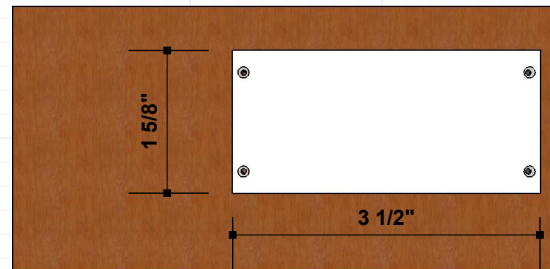
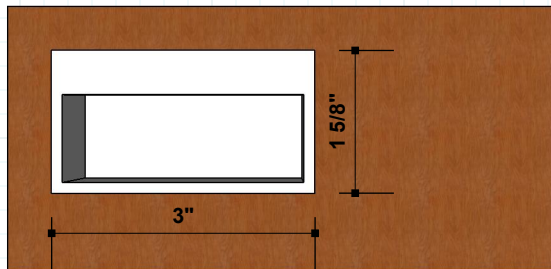
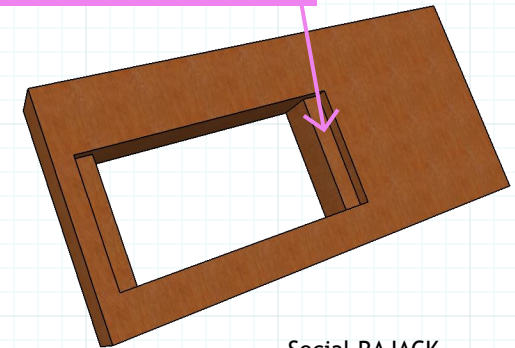


Screws: #4 x 1/2" Philips Flat

Install horizontal or vertical



Back of Door/Cab/Drawer



This item is available in standard sizes or can be manufactured to your specifications.

RAJACK will review and determine if request is possible.

Install Idea #2

RAJACK.com

Social RAJACK  
Additional Product Photos & Information  
Featured On

