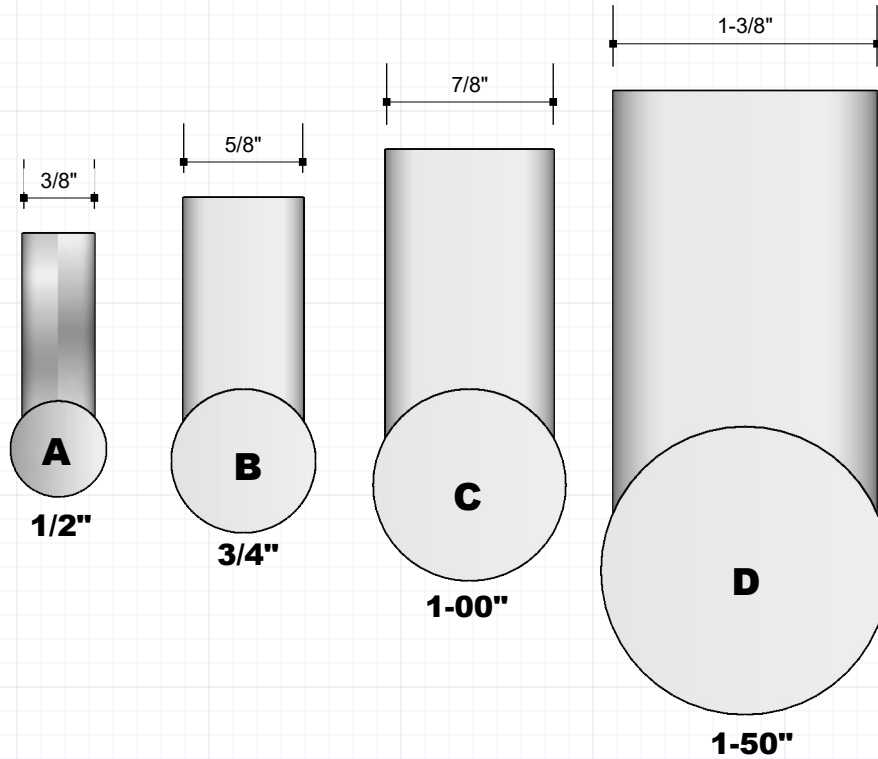
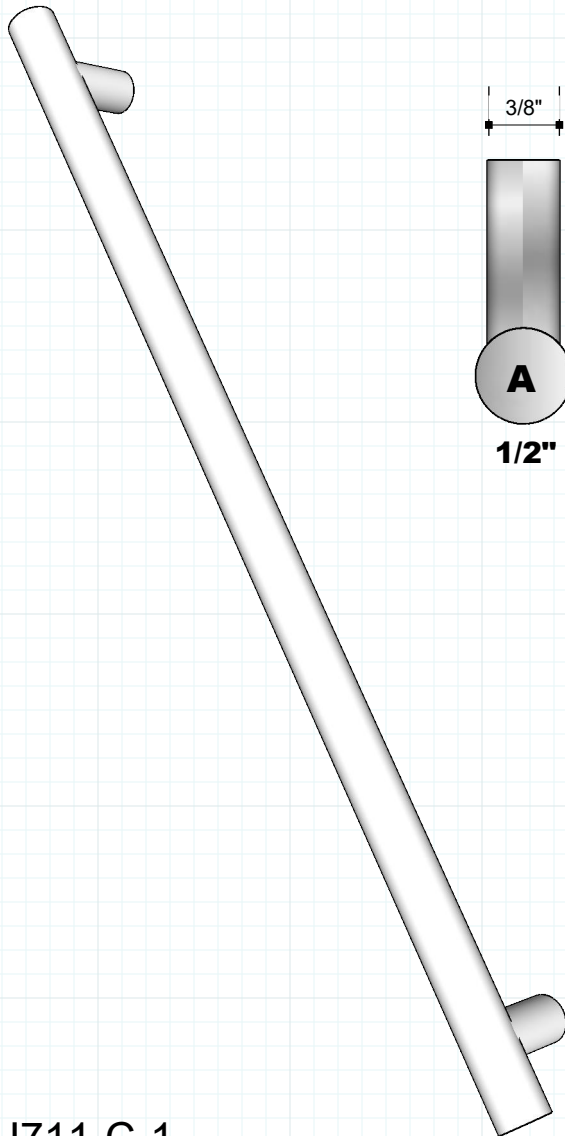




RJ711 Bar Pull (Multi-Use)

Cabinet Pull, Door Pull, Appliance Pull

#RAJACK



Finishes

- US03 Pol. Brass
- US03A Pol. Brass N/L
- US04 Satin Brass
- US04A Satin Brass N/L
- US05 Antique Brass
- US09 Polished Bronze
- US10 Satin Bronze
- US10A Dark Bronze
- US10B Oil Rubbed Bronze
- US14 Pol. Nickel
- US14A Pol. Nickel N/L
- US15 Satin Nickel
- US15A Satin Nickel N/L
- US19 Satin Black
- US26 Pol. Chrome
- US26D Satin Chrome

Powder Coating All RAL Colors

Match Your Sample

* RAJACK can match any custom or existing hardware finishes provided you submit a sample when placing order.

Available in All Finishes

MANUFACTURED TO ORDER

Call or Email to Discuss

See additional pages



info@rajack.com

RAJACK HARDWARE

95 Rome Street
Farmingdale, NY 11735
631-293-8273 Phone

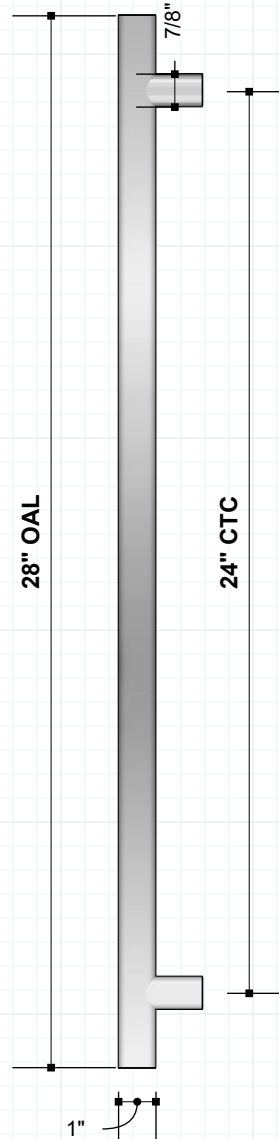
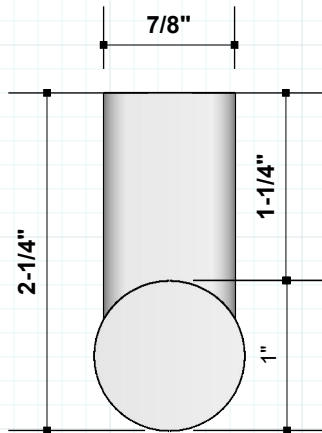
RJ711-C-1

RAJACK.com



RJ711 Bar Pull (Multi-Use)
Cabinet Pull, Door Pull, Appliance Pull
#RAJACK

TYPE
C



1" Dia
MATERIAL DIAMETER

7/8" Dia
POST DIAMETER

2-1/4"
MATERIAL PROJECTION
Suggested

8" up to 38"
MATERIAL OA LENGTH
Suggested

- Available in Rear & Face Mount
- Available in Back to Back
- Available in All Finishes
- Location of posts can be adjusted

MANUFACTURED TO ORDER
Other Material Sizes (Dia) and Lengths are available.

CALL-EMAIL TO DISCUSS

SAMPLE CUT SHEET
RJ711 Bar Pull- 28"L OA (24" CTC)
TYPE C