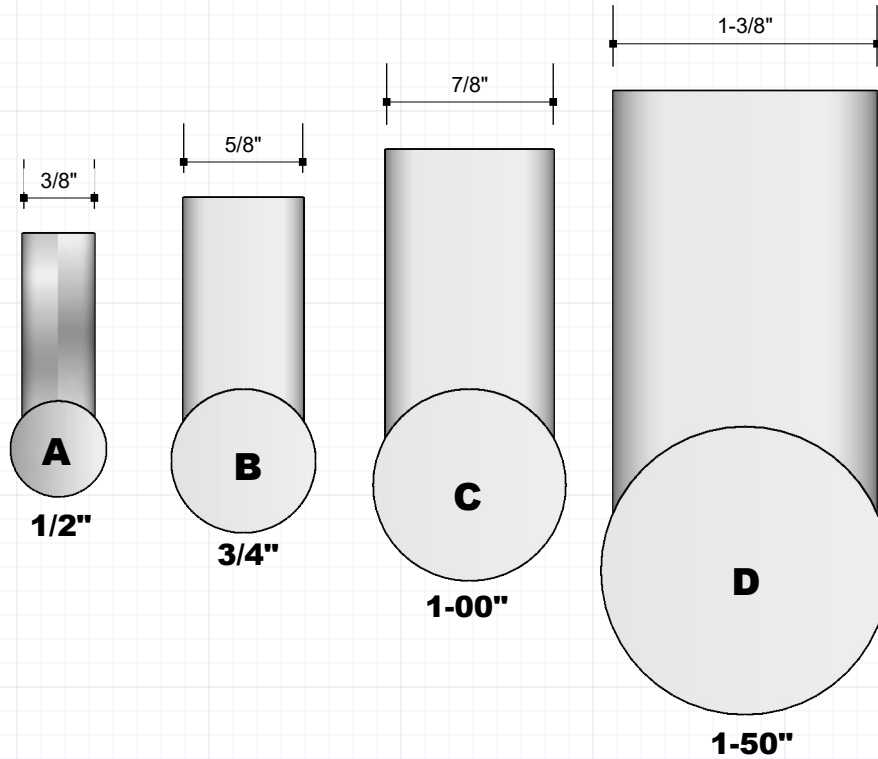
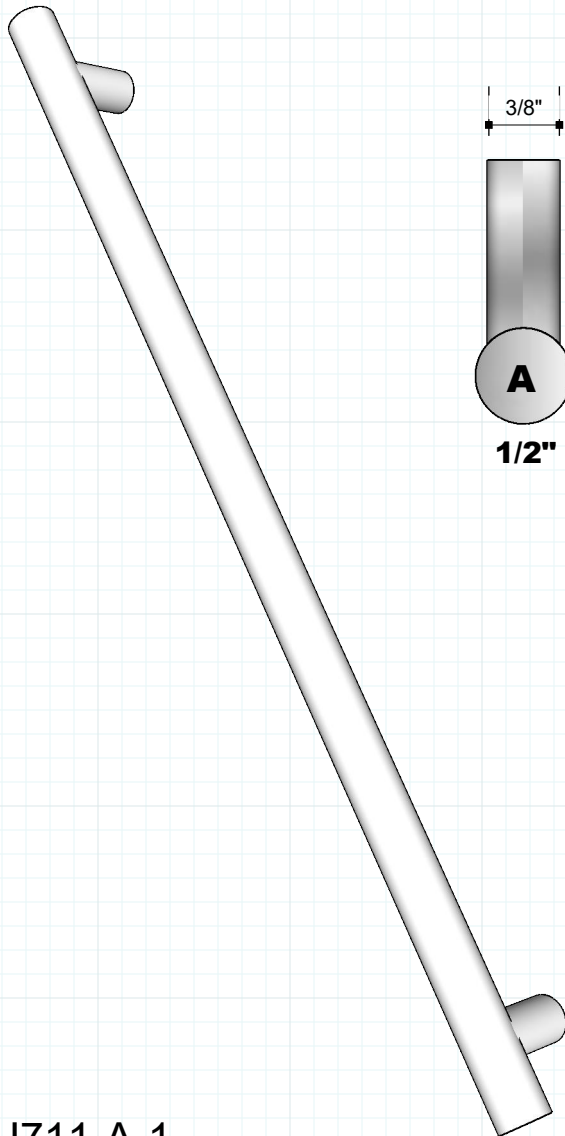




RJ711 Bar Pull (Multi-Use)
Cabinet Pull, Door Pull, Appliance Pull
#RAJACK



Finishes

- US03 Pol.Brass
- US03A Pol.Brass N/L
- US04 Satin Brass
- US04A Satin Brass N/L
- US05 Antique Brass
- US09 Polished Bronze
- US10 Satin Bronze
- US10A Dark Bronze
- US10B Oil Rubbed Bronze
- US14 Pol.Nickel
- US14A Pol.Nickel N/L
- US15 Satin Nickel
- US15A Satin Nickel N/L
- US19 Satin Black
- US26 Pol.Chrome
- US26D Satin Chrome

Powder Coating All RAL Colors

Match Your Sample

* RAJACK can match any custom or existing hardware finishes provided you submit a sample when placing order.

Available in All Finishes

MANUFACTURED TO ORDER

Call or Email to Discuss

See additional pages



info@rajack.com

RAJACK HARDWARE

95 Rome Street
Farmingdale, NY 11735
631-293-8273 Phone

RJ711-A-1

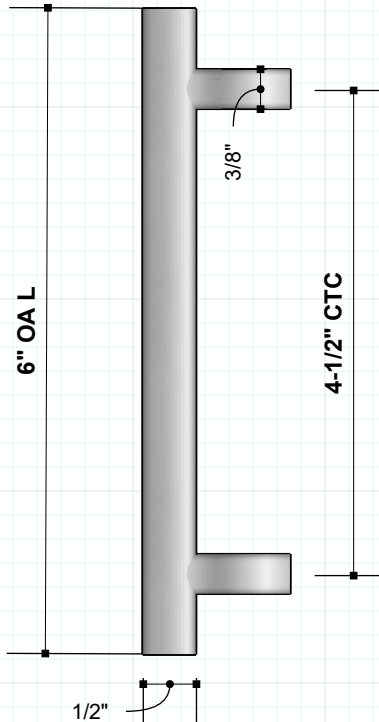
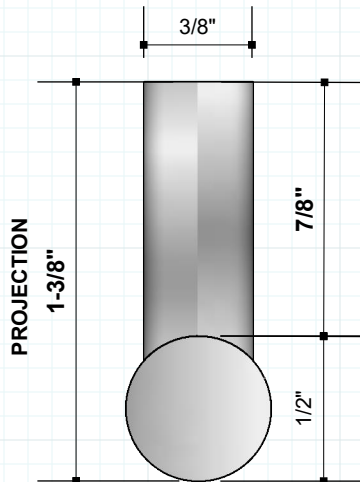
RAJACK.com



RJ711 Bar Pull (Multi-Use)
Cabinet Pull, Door Pull, Appliance Pull
#RAJACK

TYPE

A



SAMPLE CUT SHEET
RJ711 Bar Pull- 6"L OA (4-1/2" CTC)
TYPE A

1/2" Dia

MATERIAL DIAMETER

3/8" Dia

POST DIAMETER

1-3/8"

MATERIAL PROJECTION
Suggested

4" up to 14"

MATERIAL OA LENGTH
Suggested Size for 2 Posts

Available in Rear & Face Mount

Available in Back to Back

Available in All Finishes

Location of posts can be adjusted

MANUFACTURED TO ORDER
Other Material Sizes (Dia) and Lengths are available.

CALL-EMAIL TO DISCUSS

RJ711-A-2

RAJACK.com

Mark up this page for size requests

info@rajack.com

RAJACK HARDWARE

95 Rome Street
Farmingdale, NY 11735
631-293-8273 Phone