



# RAJACK DD Style Roll Pull

Door / Cabinet / Drawer

#RAJACK #DD

## RAJACK HARDWARE

95 Rome Street  
Farmingdale, NY 11735  
631-293-8273 Phone  
631-293-3617 Fax

info@rajack.com

### Finishes

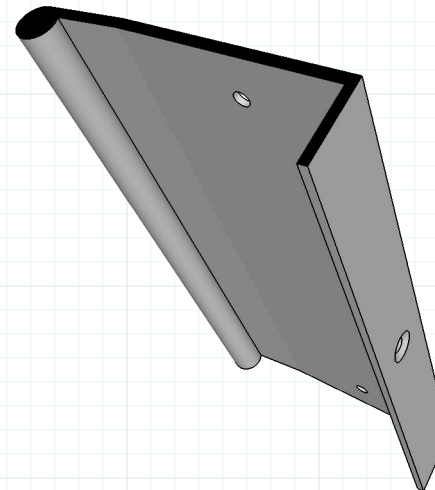
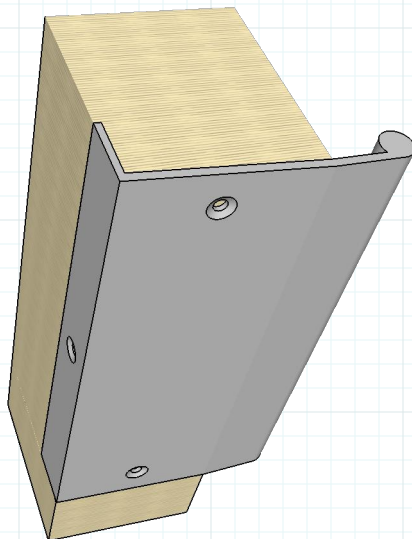
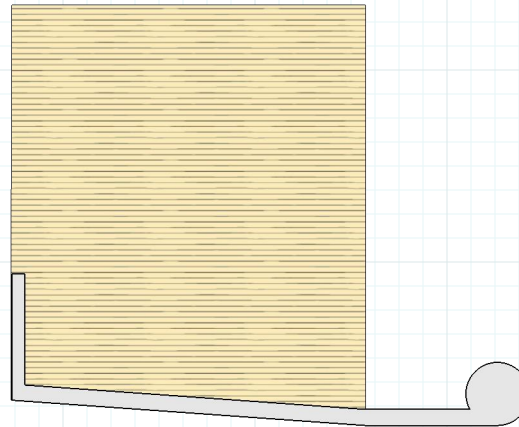
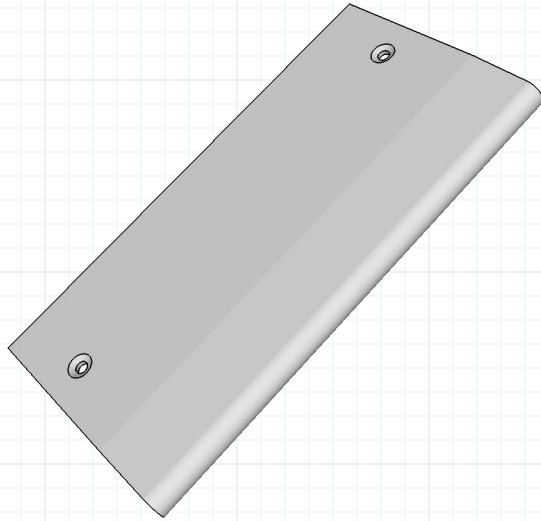
- US03 Pol.Brass
- US03A Pol.Brass N/L
- US04 Satin Brass
- US04A Satin Brass N/L
- US05 Antique Brass
- US09 Polished Bronze
- US10 Satin Bronze
- US10A Dark Bronze
- US10B Oil Rubbed Bronze
- US14 Pol.Nickel
- US14A Pol.Nickel N/L
- US15 Satin Nickel
- US15A Satin Nickel N/L
- US19 Satin Black
- US26 Pol.Chrome
- US26D Satin Chrome

**Powder Coating All RAL Colors**

**All Benjamin Moore Colors**

**Match Your Sample**

\* RAJACK can match any custom or existing hardware finishes provided you submit a sample when placing order.



DD-01

 RAJACK.com

**MADE TO ORDER**

Material: 1/16th Thick  
Screw: #6 x 1/2"

Social RAJACK

Additional Product Photos & Information  
Featured On





# RAJACK DD Style Roll Pull

Door / Cabinet / Drawer

#RAJACK #DD

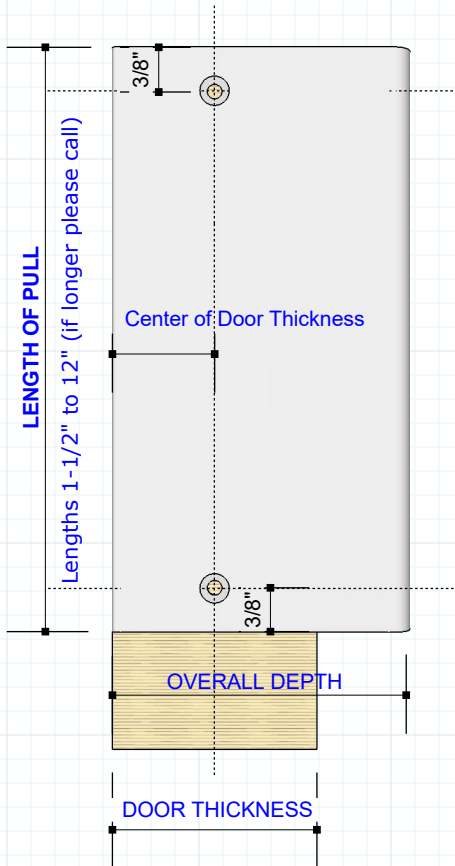
## RAJACK HARDWARE

95 Rome Street  
Farmingdale, NY 11735  
631-293-8273 Phone  
631-293-3617 Fax

info@rajack.com

## Scratch Sheet

**SIDE SCREW HOLE**  
from back of pull to center of  
door thickness unless  
otherwise noted.

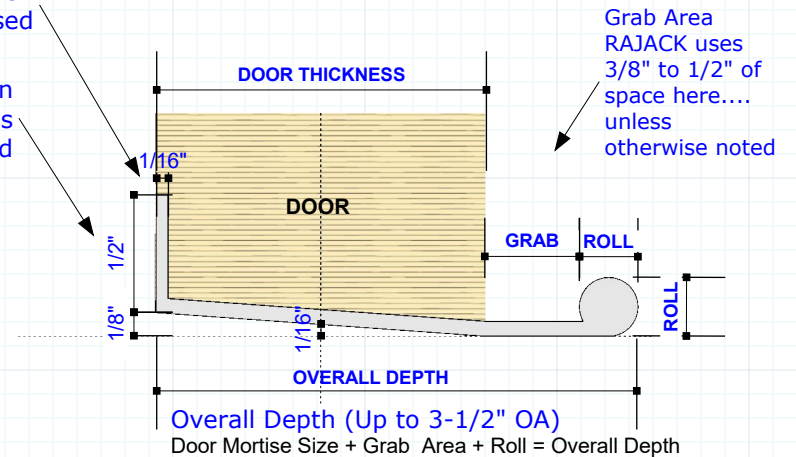


We assume flat flush  
rear return mortised

Rear Return  
1/2" unless  
otherwise noted

### MADE TO ORDER

Material: 1/16th Thick  
Screw: #6 x 1/2"

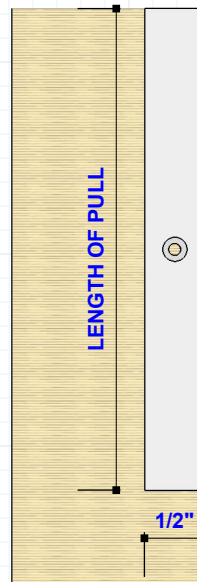


Grab Area  
RAJACK uses  
3/8" to 1/2" of  
space here....  
unless  
otherwise noted

Overall Depth (Up to 3-1/2" OA)

Door Mortise Size + Grab Area + Roll = Overall Depth

Rear Return



Note: screw holes can be  
placed on **rear return**  
**only**. Upon request. This  
is only recommended on  
pulls 4"L or less.

Roll Sizes  
1/4"  
3/8"  
1/2"

DD-02

RAJACK.com

Finish (see DD-01) or website