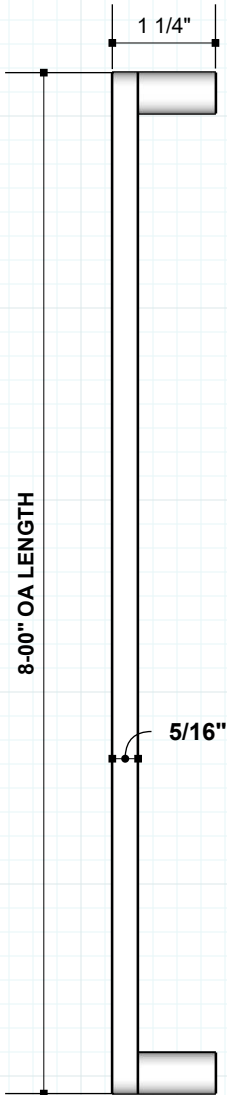




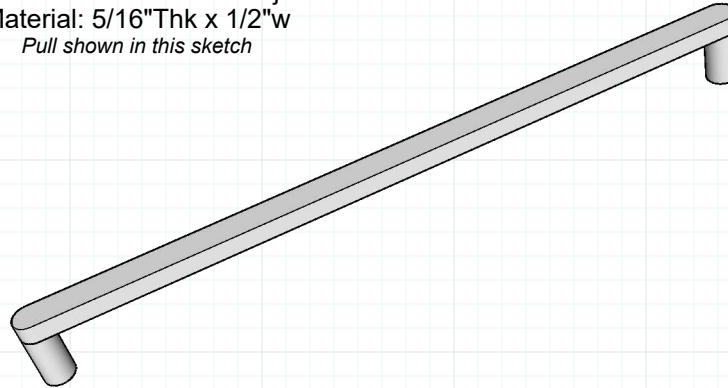
RJ700 Pull - Flat Round
Cabinet Drawer / Door
#RAJACK #RJ700

A

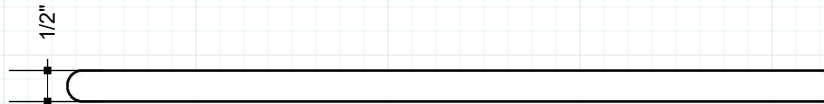
TYPE



Example Shown
RJ700 PULL 8" L x 1-1/4" Projection
Material: 5/16"Thk x 1/2"w
Pull shown in this sketch



Pulls can be manufactured at different lengths and projections.



5/16"
MATERIAL THICKNESS

1/2"
MATERIAL WIDTH

1-1/4"
MATERIAL PROJECTION
Suggested

14-00"
Max OA Length

Material Size	Max Length
(A) 5/16 x 1/2	14" OA
(B) 3/8 x 7/8	36" OA
(C) 1/2 x 1	48" OA

RJ700-A-1

RAJACK.com

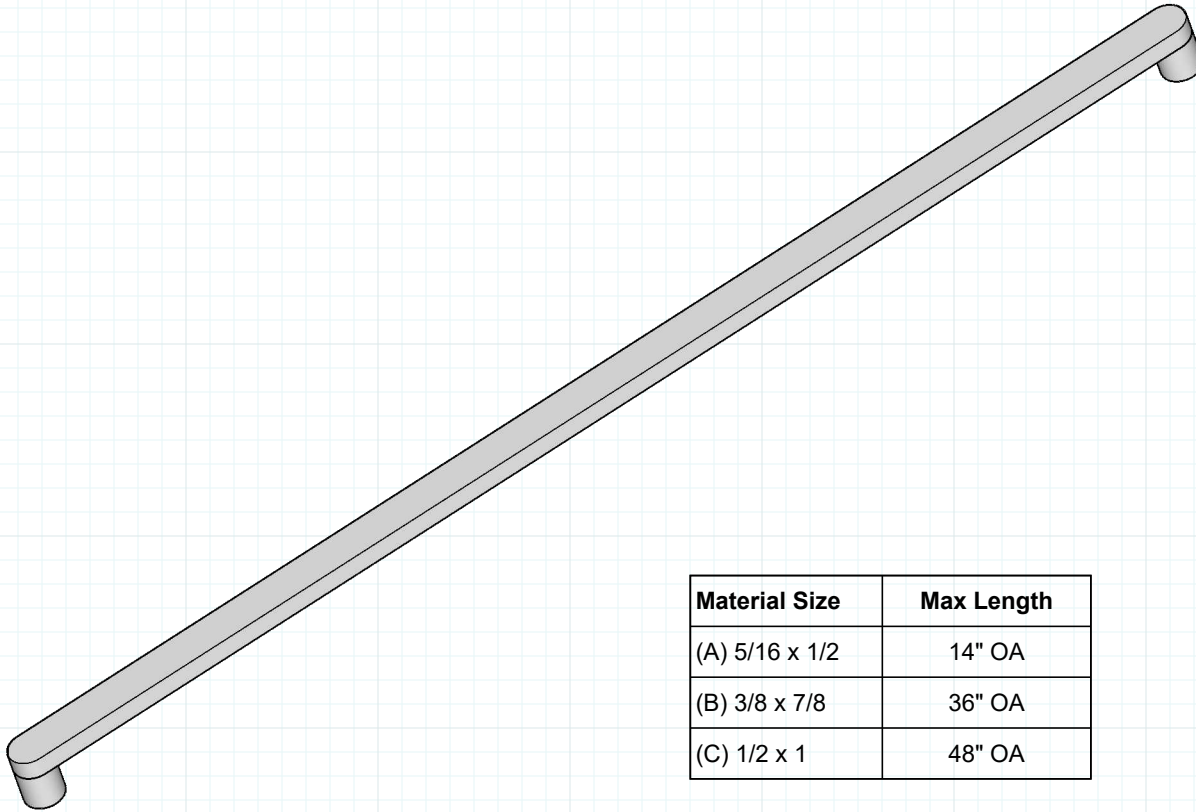
rajackhardware
Follow us on Instagram

info@rajack.com

RAJACK HARDWARE
95 Rome Street
Farmingdale, NY 11735
631-293-8273 Phone



RJ700 Pull - Flat Round
 Cabinet - Door - Appliance
 #RAJACK #RJ700



Material Size	Max Length
(A) 5/16 x 1/2	14" OA
(B) 3/8 x 7/8	36" OA
(C) 1/2 x 1	48" OA

Finishes

- US03 Pol. Brass
- US03A Pol. Brass N/L
- US04 Satin Brass
- US04A Satin Brass N/L
- US05 Antique Brass
- US09 Polished Bronze
- US10 Satin Bronze
- US10A Dark Bronze
- US10B Oil Rubbed Bronze
- US14 Pol. Nickel
- US14A Pol. Nickel N/L
- US15 Satin Nickel
- US15A Satin Nickel N/L
- US19 Satin Black
- US26 Pol. Chrome
- US26D Satin Chrome

Powder Coating All RAL Colors

Match Your Sample

* RAJACK can match any custom or existing hardware finishes provided you submit a sample when placing order.



info@rajack.com

RAJACK HARDWARE
 95 Rome Street
 Farmingdale, NY 11735
 631-293-8273 Phone

RJ700-00

