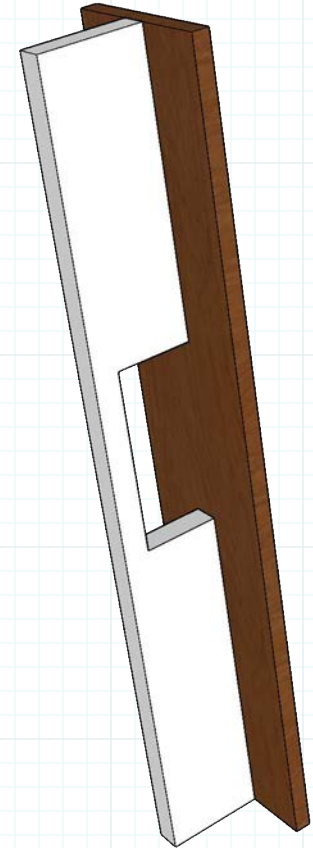
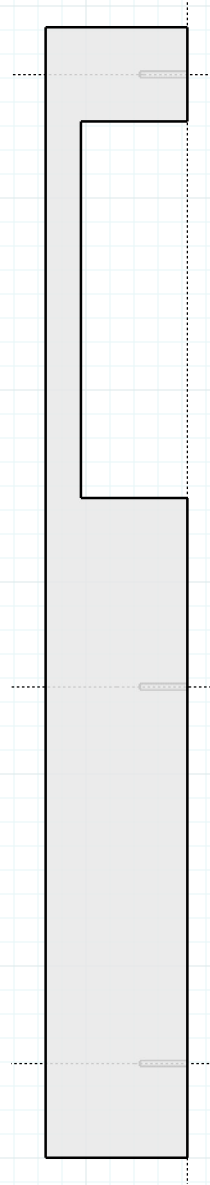
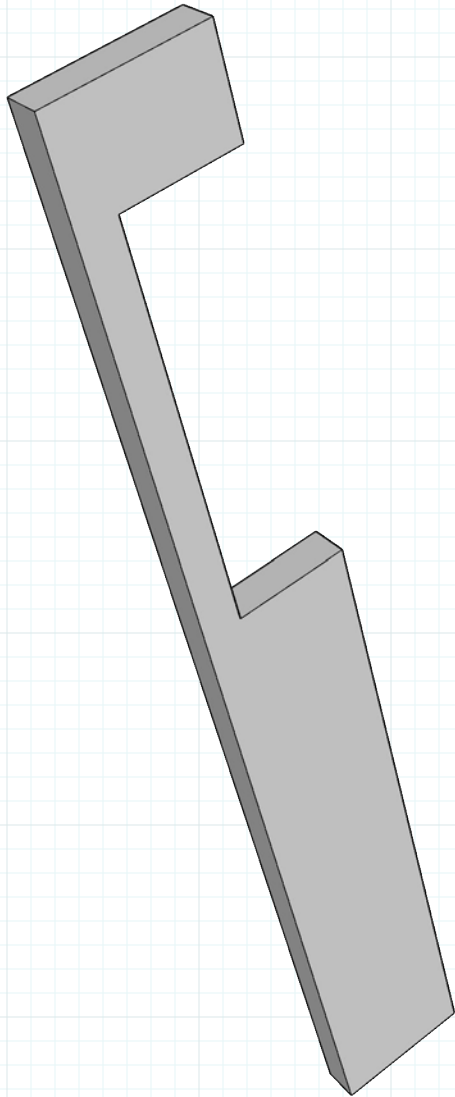




# RJ4999 NYC BLADE PULL

Door / Drawer / Cabinet Pull

#RAJACK



RJ4999-01

 **RAJACK.com**

 **rajackhardware**  
*Follow us on Instagram*

**info@rajack.com**

**RAJACK HARDWARE**  
95 Rome Street  
Farmingdale, NY 11735  
631-293-8273 Phone

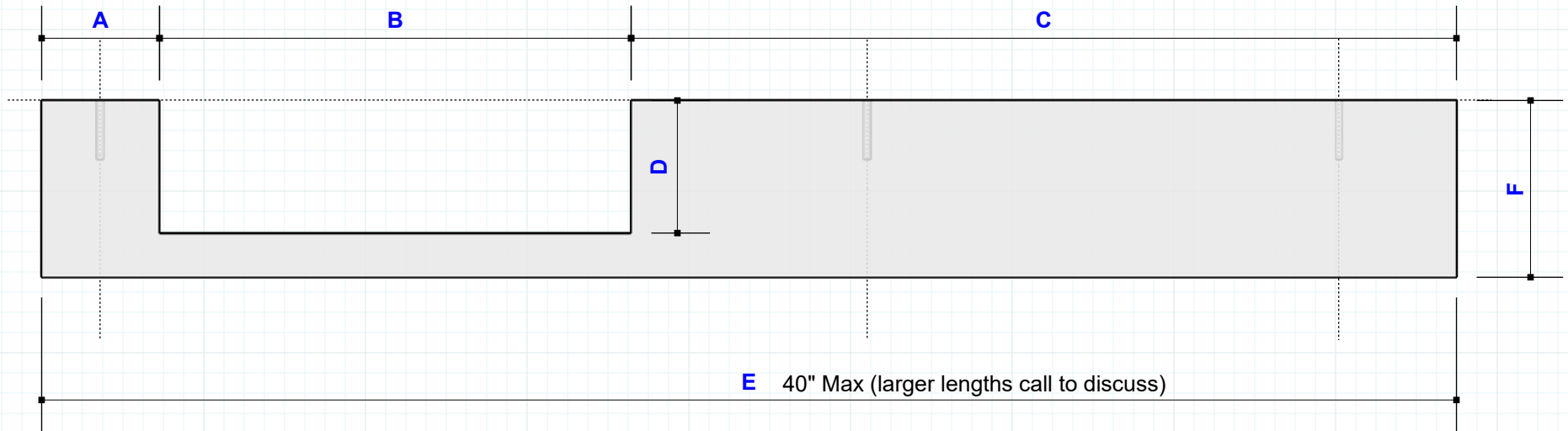


# RJ4999 NYC BLADE PULL

Door / Drawer / Cabinet Pull

#RAJACK

## Scratch Sheet



E 40" Max (larger lengths call to discuss)



RJ4999-02

RAJACK.com

**F**

Overall Depth

1-1/4, 1-1/2, 1-3/4, 2-00, 2-1/2

**G**

Material Thickness

1/4, 3/8, 1/2

**info@rajack.com**

**RAJACK HARDWARE**

95 Rome Street  
Farmingdale, NY 11735  
631-293-8273 Phone

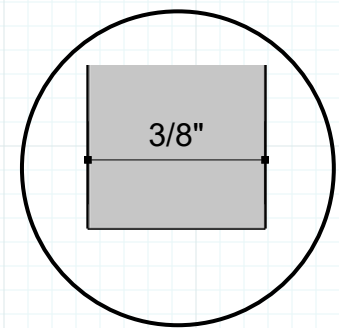
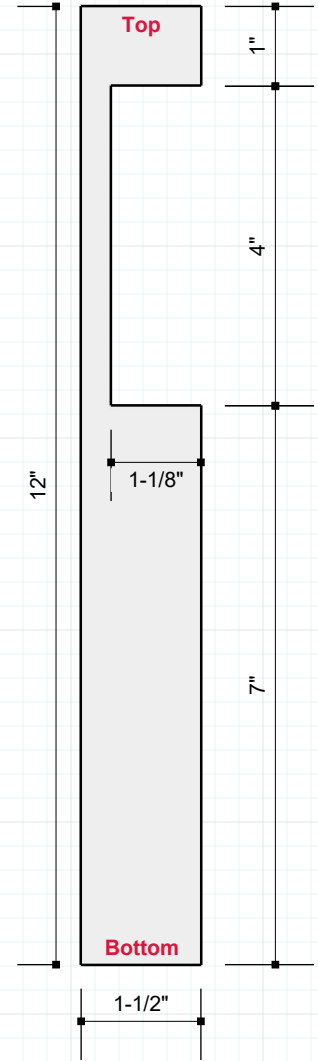
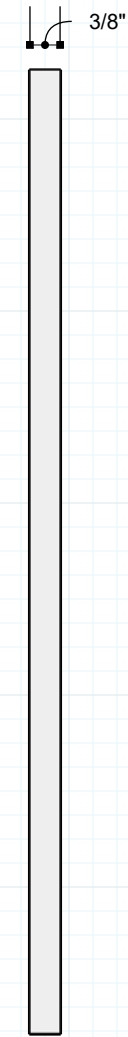
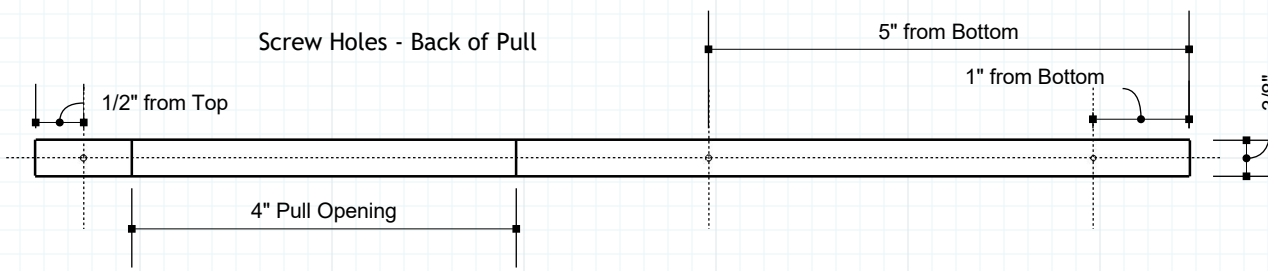
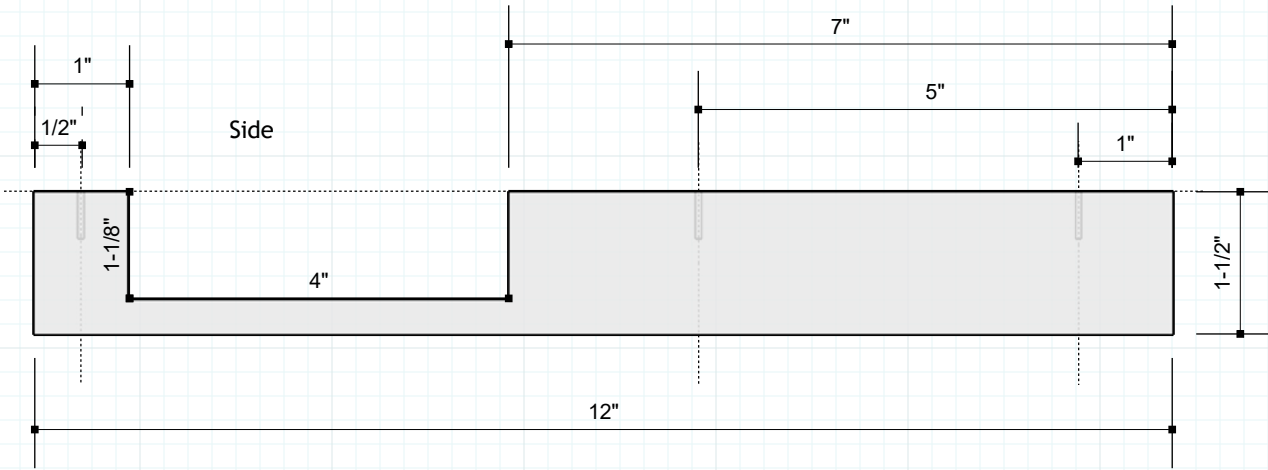


# RJ4999 NYC BLADE PULL

Door / Drawer / Cabinet Pull

#RAJACK

Sample Shown  
12"L x 1-1/2"W x 3/8Th



RJ4999-03

**RAJACK.com**

**3/8th Thick Material Shown**  
Machine Screw (Rear Install)  
Manufactured to Order

**rajackhardware**  
*Follow us on Instagram*

**info@rajack.com**

**RAJACK HARDWARE**  
95 Rome Street  
Farmingdale, NY 11735  
631-293-8273 Phone