



# RAJACK CC Style Roll Pull

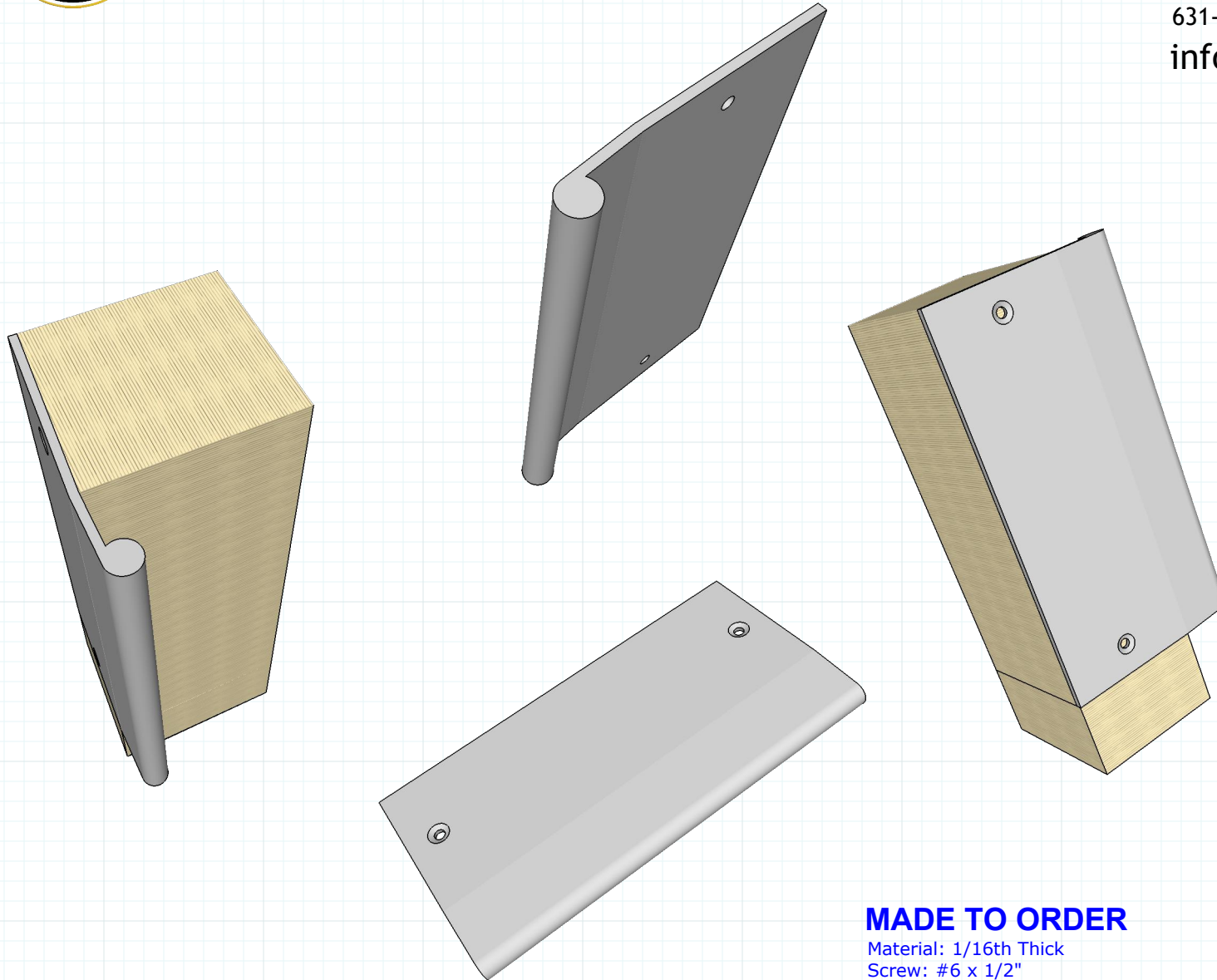
Door / Cabinet / Drawer

#RAJACK #CC

## RAJACK HARDWARE

95 Rome Street  
Farmingdale, NY 11735  
631-293-8273 Phone  
631-293-3617 Fax

info@rajack.com



### Finishes

- US03 Pol.Brass
- US03A Pol.Brass N/L
- US04 Satin Brass
- US04A Satin Brass N/L
- US05 Antique Brass
- US09 Polished Bronze
- US10 Satin Bronze
- US10A Dark Bronze
- US10B Oil Rubbed Bronze
- US14 Pol.Nickel
- US14A Pol.Nickel N/L
- US15 Satin Nickel
- US15A Satin Nickel N/L
- US19 Satin Black
- US26 Pol.Chrome
- US26D Satin Chrome

**Powder Coating All RAL Colors**

**All Benjamin Moore Colors**

**Match Your Sample**

\* RAJACK can match any custom or existing hardware finishes provided you submit a sample when placing order.

### **MADE TO ORDER**

Material: 1/16th Thick  
Screw: #6 x 1/2"

CC-01

Similar to the AA roll pull but the CC has slight bevel- bend at the roll end.

RAJACK.com

Social RAJACK  
Additional Product Photos & Information  
Featured On





# RAJACK CC Style Roll Pull

Door / Cabinet / Drawer

#RAJACK #CC

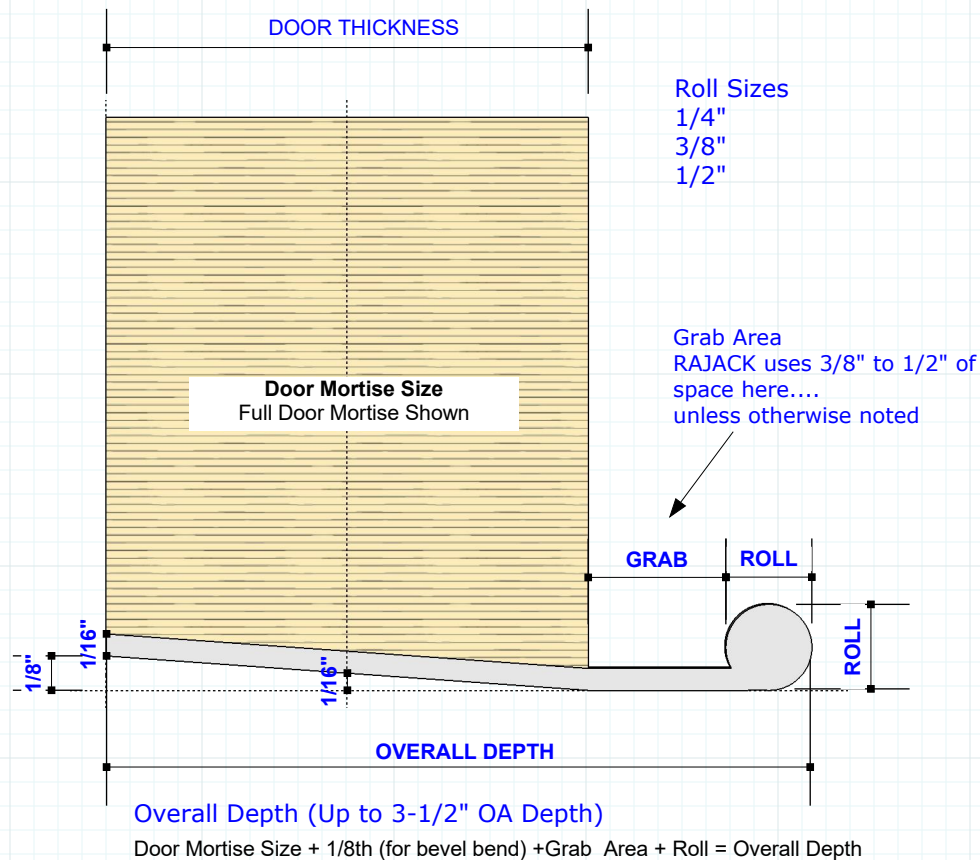
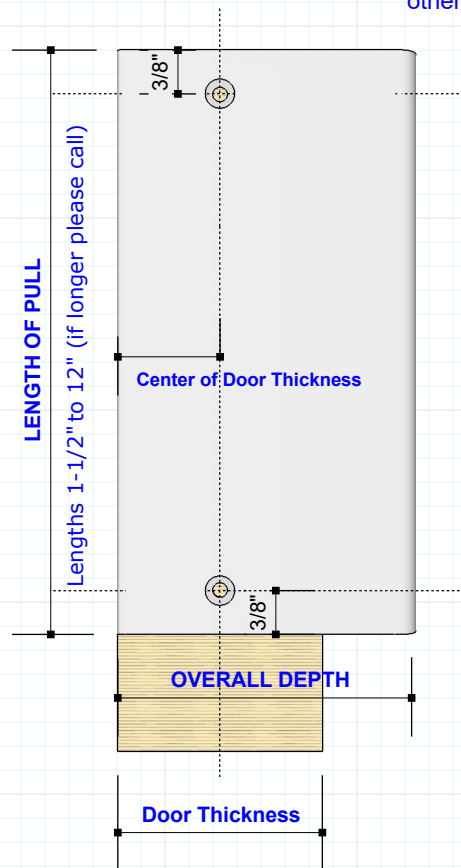
## RAJACK HARDWARE

95 Rome Street  
Farmingdale, NY 11735  
631-293-8273 Phone  
631-293-3617 Fax

info@rajack.com

### Scratch Sheet

**SIDE SCREW HOLE**  
from back of pull to center of  
door thickness unless  
otherwise noted.



CC-02

RAJACK.com

Finish (see CC-01) or website

**MADE TO ORDER**

Material: 1/16th Thick  
Screw: #6 x 1/2"